

HCD-1501-40

Computerized Single Head Embroidery Machine

PARTS LIST



INDEX

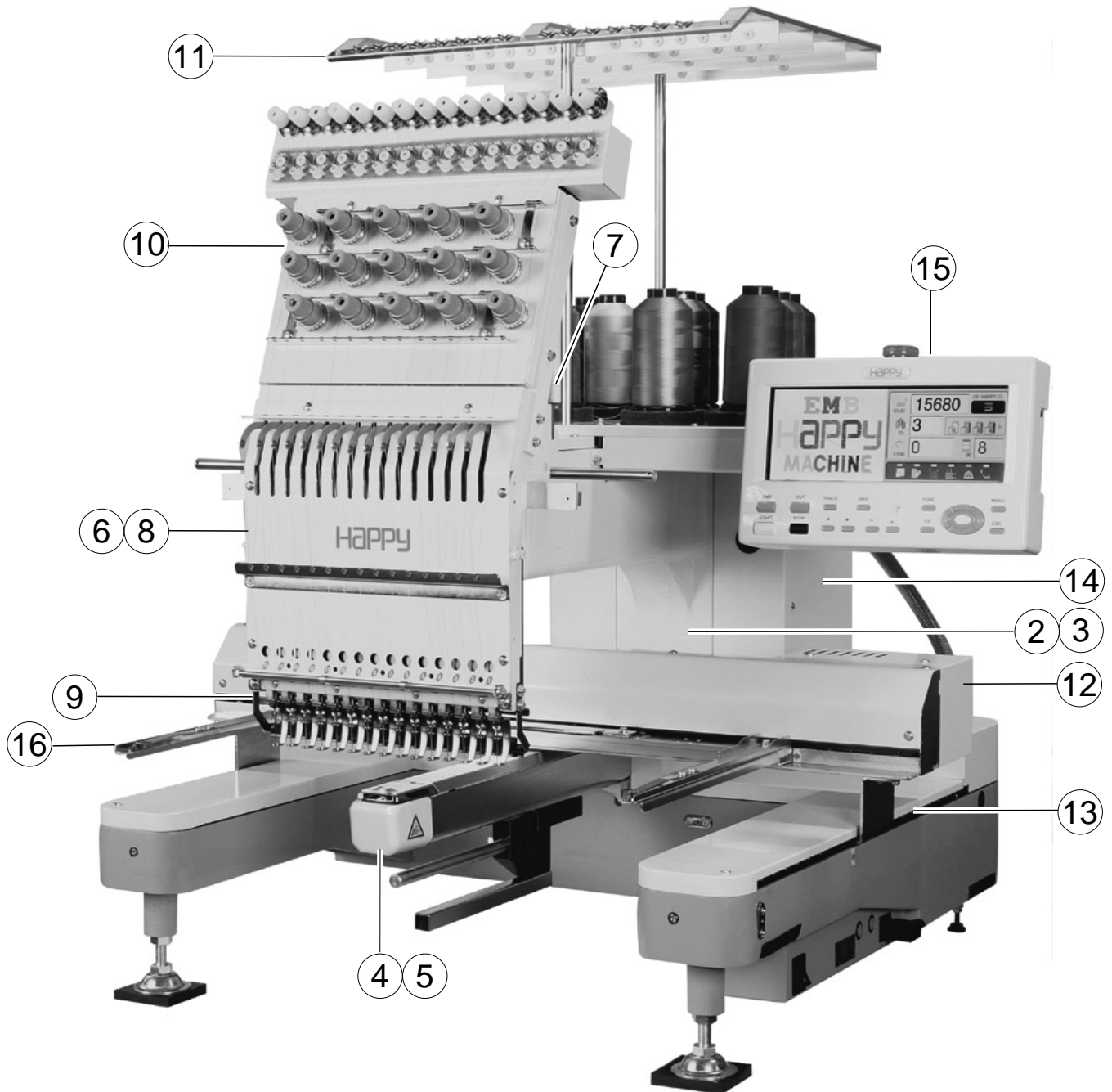


TABLE & STAND (OPTION)	1a	Y CARRIAGE	13a
COVERS	2a	ELECTRIC PARTS	14a
TRANSMISSION UNIT	3a	CONTROL PANEL	15a
BED	4a	FRAME BASE	16a
THREAD CUTTING DRIVER	5a	ACCESSORIES 1	17a
HEAD	6a	ACCESSORIES 2	17b
NEEDLE BAR CHANGE UNIT	7a	ELECTRICAL CONNECTION DIAGRAM	18a
MOVING HEAD	8a	CAP FRAME (DRIVE FRAME) (OPTION)	19a
THREAD CATCHER	9a	CAP FRAME (HOLD FRAME) (OPTION)	19b
THREAD TENSION UNIT	10a	CAP FRAME (CAP STRETCHER) (OPTION)	19c
THREAD STAND	11a	BOBBIN WINDER (OPTION)	20a
X CARRIAGE	12a	FLOPPY DISK DRIVE (OPTION)	21a

* Specifications are subject to change without notice.

* When you place parts orders, please state machine model (example : HCD-1501-40), machine number and if machine is with option (example : cap frame) or not.

EXPLANATION OF LIST

Ass'y	El't	Parts No.	Parts Names
	9	HMF17870	Adjusting plate
<u>11*</u>	10	M0416186	Thread check spring
	11	HMF17840	Thread tension ass'y
	12	HMF17860	Thread tension lid
	31	<u>HCG08170</u>	Roller pin guide
	<u>32</u>	<u>->10b</u>	Jump solenoid ass'y (by model)
①	②	③	④

- ① This element number here is an assembly part number.
It indicates that the part shown here is a component of an assembly part.
- ② It is element number.
- ③ It is parts number.
- ④ This parts is entered to other page of that mark "->" shows.

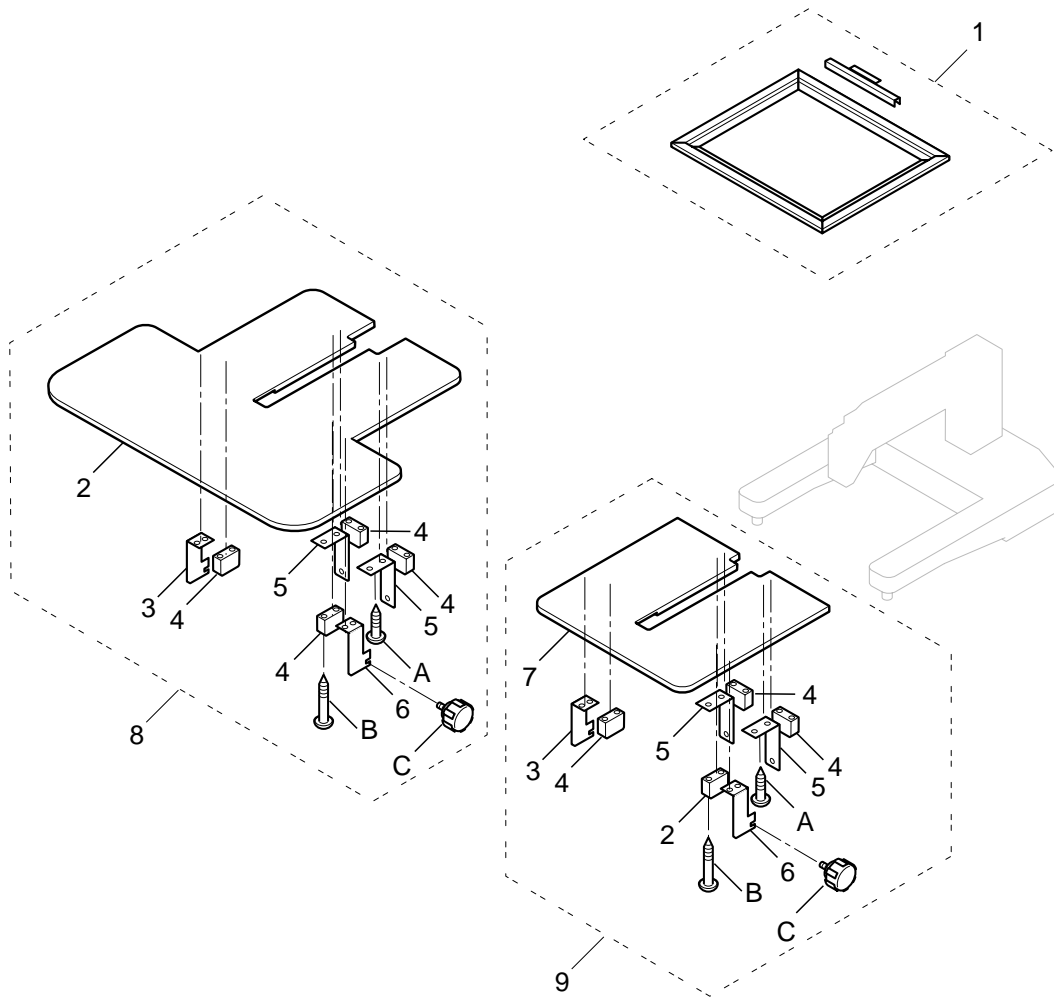
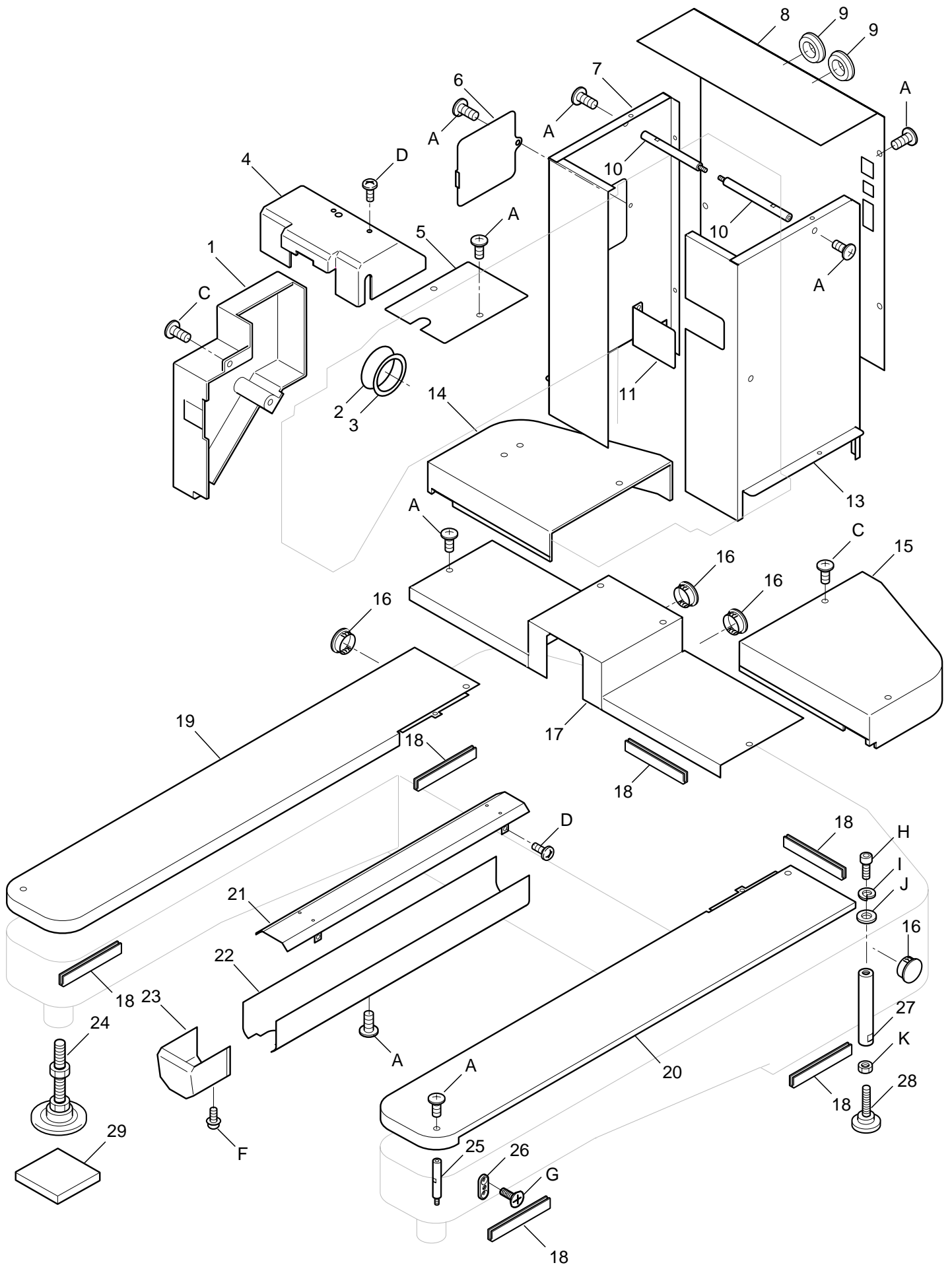


TABLE & STAND (OPTION)

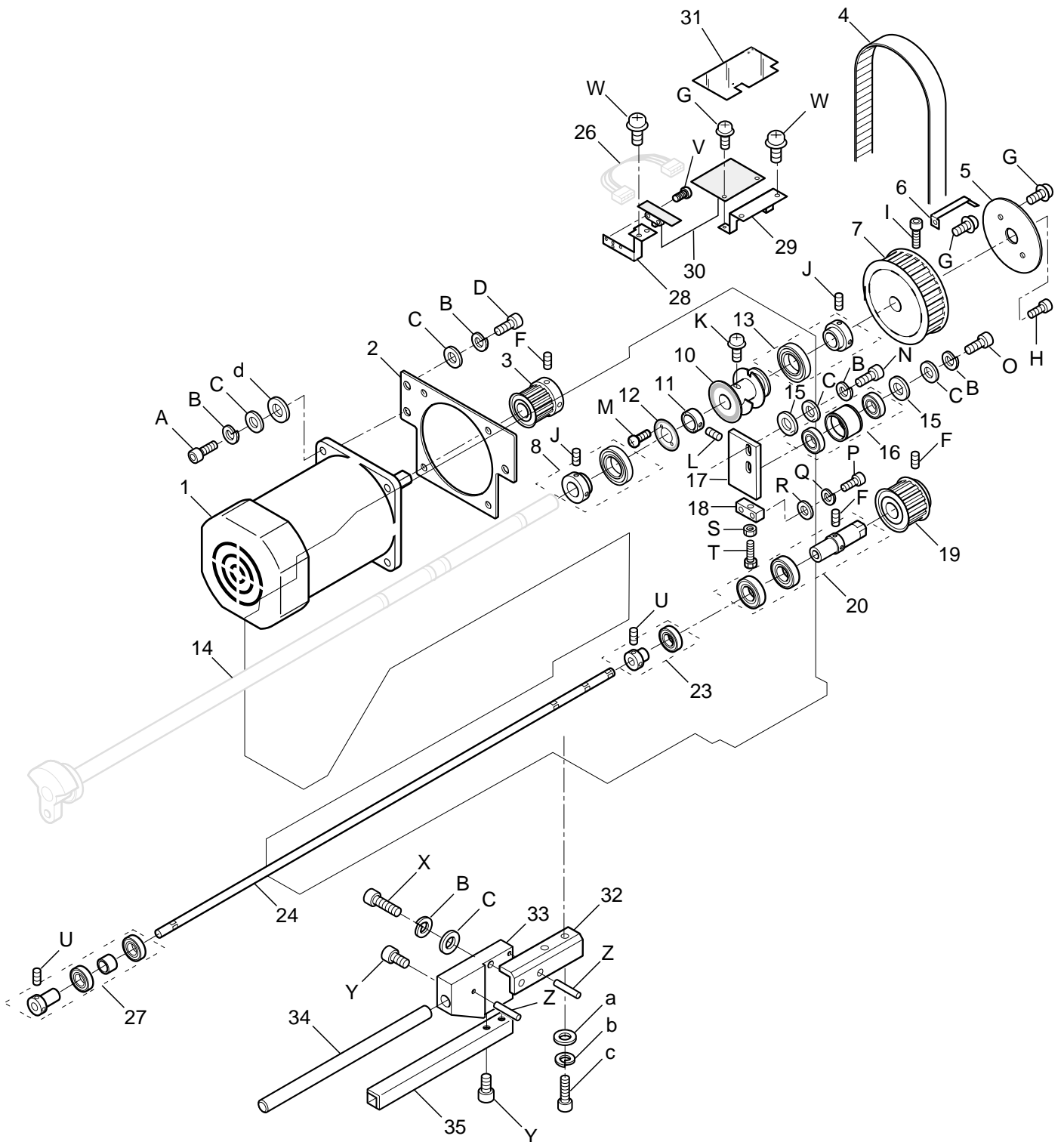
CDG509

1a-1

Ass'y	El't	Parts No.	Parts Names	Note
	1	HCD937070	Border frame set	
	2	HCD30021	Table (border)	
	3	HCD30033	Bracket (left)	
	4	HCD30063	Spacer	
	5	HCD30043	Bracket (middle)	
	6	HCD30053	Bracket (right)	
	7	HCD30073	Table (front)	
	8	HCD930020	Table set (border)	
	9	HCD930070	Table set (front)	
	A	SKAB4E016	Round head wood screw (cross recessed head, 4.5x16)	
	B	SKAB4E020	Round head wood screw (cross recessed head, 4.5x20)	
	C	M0437002	Knob screw (M4)	



Ass'y	El't	Parts No.	Parts Names	Note
	1	HCD00733	Head left side cover	
	2	HCD00710	Arm cover A	
	3	HCD00820	Double-faced tape	
	4	HCD00652	Cover for needle bar change unit	
	5	HCD00723	Arm upper cover	
	6	HCD00790	Cover J	
	7	HCD00573	Cover B	
	8	HCD00670	Cover H	
	9	M0408150	Rubber cap (small)	
	10	HCD00770	Cover stud I (76.8mm)	
	11	HCD00800	FDD cord lid without hole	
	13	HCD00563	Cover A	
	14	HCD00592	Cover D	
	15	HCD00583	Cover C	
	16	MPZ02300	Hole plug CP-30-HP-8	
	17	HCD00624	Cover G ass'y	
	18	HCD01070	Protection trim	
	19	HCD00613	Cover F	
	20	HCD00603	Cover E	
	21	HCD00511	Bed cover (upper) ass'y	
	22	HCD00541	Bed cover (lower)	
	23	HCDU00830	Keeper cover ass'y	
	24	MPZ02940	Adjuster	
	25	HCD00760	Cover stud D (46mm)	
	26	HCD01060	Bracket	
	27	HCD01052	Stud	
	28	-	Adjuster ass'y	
	29	HCA00190	Rubber mount	
	A	STAB04006	Truss head screw (cross recessed, M4x6)	
	C	STAB04008	Truss head screw (cross recessed, M4x8)	
	D	SBAB03005	Binding head screw (M3x5)	
	F	SPDD03006	Pan head screw (cross recessed, M3x6)	
	G	SGAB04008	Flat head screw (cross recessed head, M4x8)	
	H	SCAA06025	Hexagon socket head cap screw (M6x25)	
	I	WSAA06000	Spring lock washer (M6)	
	J	WPAA06000	Plain washer (M6)	
	K	NHAA06000	Hexagon nut (M6)	

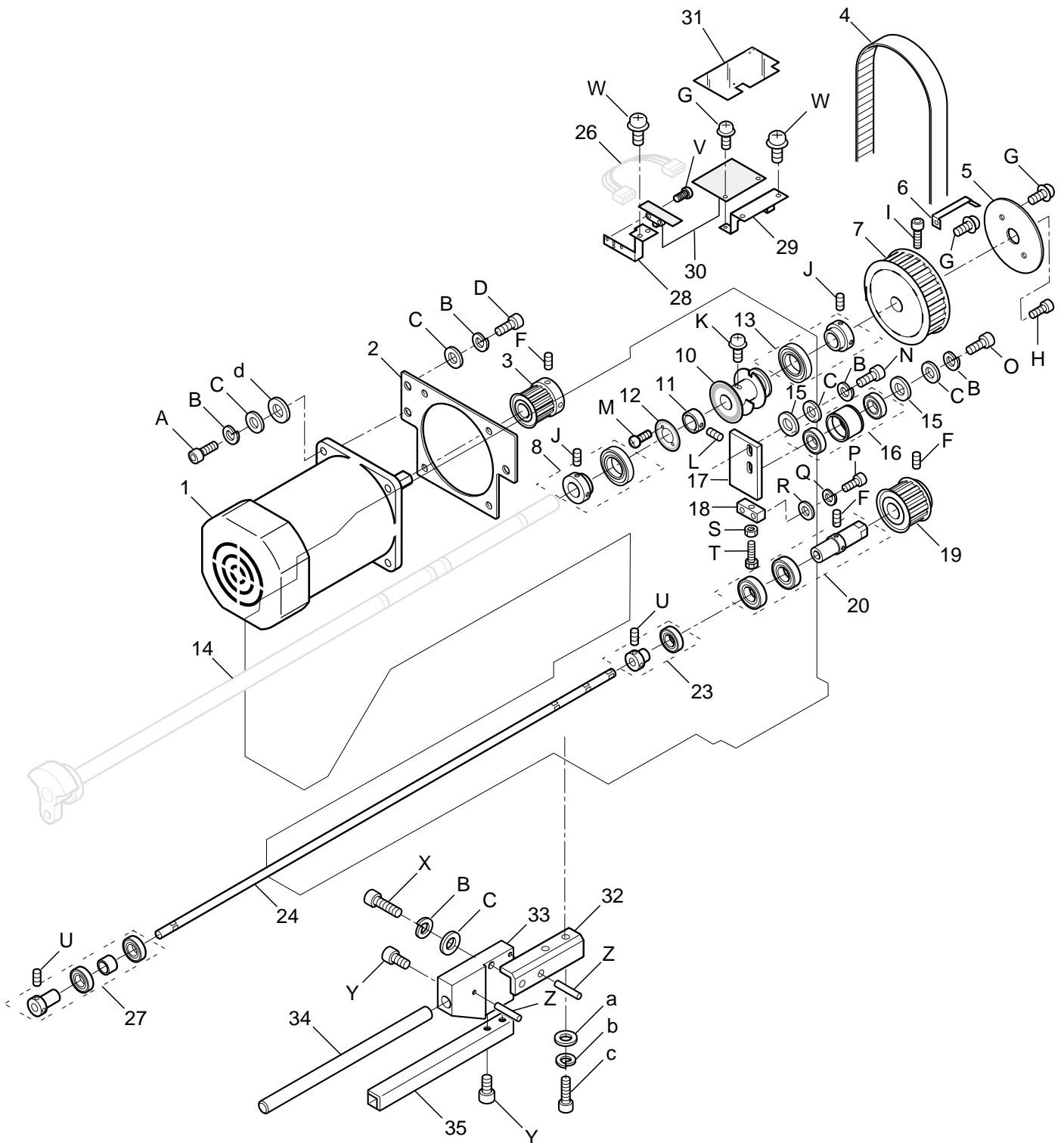


TRANSMISSION UNIT

CDG401

3a-1

Ass'y	El't	Parts No.	Parts Names	Note
	1	HCA75012	Main motor ass'y	
	2	HCD02151	Motor bracket 2	
	3	HCD02301	Motor pulley	
	4	MPV00730	Timing belt (150-S5M-1025)	
	5	HCD02101	Dial	
	6	HCD02271	Pointer B	
	7	HCD02280	Drive pulley (upper)	
	8	HCDU62050	Upper shaft collar A ass'y	
	10	HCB02264	Slit disc	
	11	HCD02061	Timing collar	
	12	HCD02053	Timing slit	
	13	HCD902020	Upper shaft collar B ass'y	
	14	->6a	Crank ass'y	
	15	HCA02250	Washer	
	16	HCD902030	Tension pulley ass'y	
	17	HCD02321	Tension shaft ass'y	
	18	HCD02131	Tension	
	19	HCD02290	lower pulley (small)	
	20	HCD902040	Collar shaft ass'y	
	23	HCDU02070	Rotary hook shaft collar B ass'y	
	24	HCD02123	Rotary hook shaft	
	26	->18a	Encoder relay cable	
	27	HCD902050	Rotary hook shaft collar (front) ass'y	
	28	HCD02260	Detecting board bracket B	
	29	HCD02250	Detecting board bracket A	
	30	HCD81090	Timing detecting board ass'y	
	31	HCD27240	Detecting board protective sheet	
	32	HCD37060	Holder (option)	
	33	HCM04672	Fulcrum shaft holder (option)	
	34	FRA43860	Fulcrum shaft for cap frame (option)	
	35	FRA43872	Guide shaft for cap frame (option)	

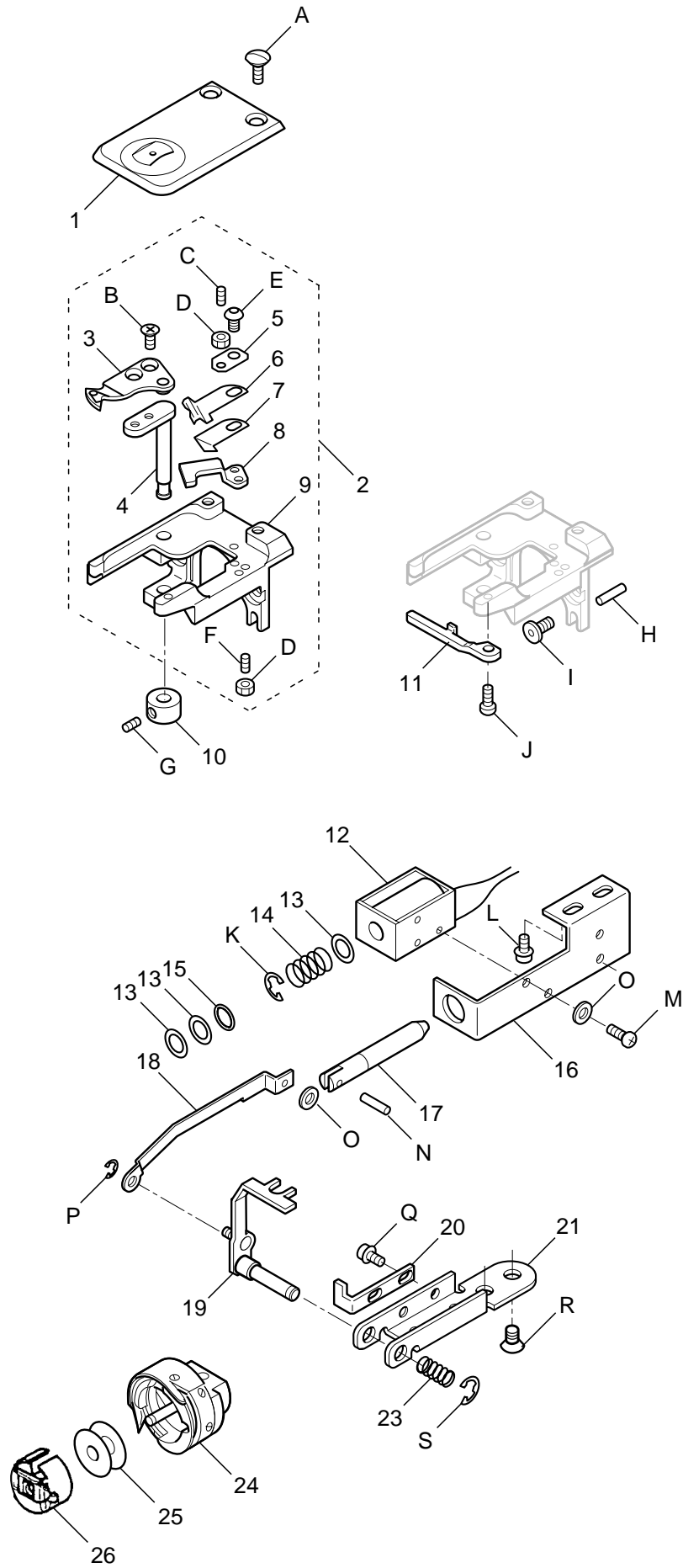


TRANSMISSION UNIT

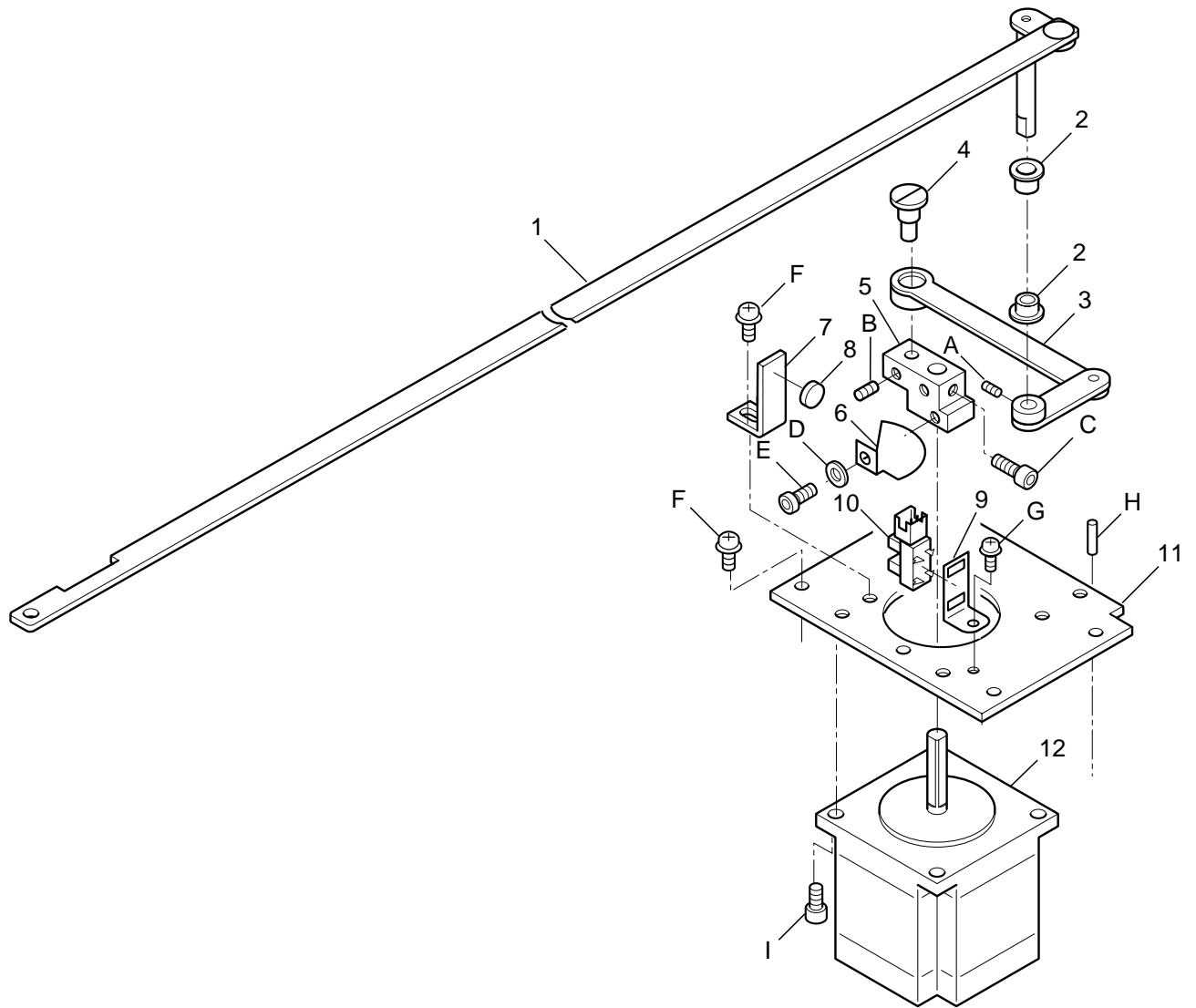
CDG401

3a-2

Ass'y	El't	Parts No.	Parts Names	Note
	A	SCAA06024	Hexagon socket head cap screw (M6x24)	
	B	WSAA06000	Spring lock washer (M6)	
	C	WPAA06000	Plain washer (M6)	
	D	SCAA06015	Hexagon socket head cap screw (M6x15)	
	F	SSAA04006	Hexagon socket set screw (M4x6)	
	G	SPDD03006	Pan head screw (cross recessed, M3x6)	
	H	SCBD04008	Hexagon socket head cap screw (M4x8)	
	I	SCAA04015	Hexagon socket head cap screw (M4x15)	
	J	SSAA05008	Hexagon socket set screw (M5x8)	
	K	SPDD03008	Pan head screw (cross recessed, M3x8)	
	L	SSAA03003	Hexagon socket set screw (M3x3)	
	M	-	Small pan head screw (cross recessed, M2x4)	
	N	SCAA06012	Hexagon socket head cap screw (M6x12)	
	O	SCAA06010	Hexagon socket head cap screw (M6x10)	
	P	SCAA04020	Hexagon socket head cap screw (M4x20)	
	Q	WSAA04000	Spring lock washer (M4)	
	R	WPAA04000	Plain washer (M4)	
	S	NHAA04000	Hexagon nut (M4)	
	T	SHBA04030	Hexagon head bolt (M4x30)	
	U	SSAA04005	Hexagon socket set screw (M4x5)	
	V	SPDD02006	Pan head screw (cross recessed, M2x6)	
	W	SPDB04008	Pan head screw (cross recessed, M4x8)	
	X	SCAA06035	Hexagon socket head cap screw (M6x35)	
	Y	SCAD06010	Hexagon socket head cap screw (M6x10)	
	Z	MPP00090	Spring pin (4x20)	
	a	WPAA05000	Plain washer (M5)	
	b	WSAA05000	Spring lock washer (M5)	
	c	SCAA05035	Hexagon socket head cap screw (M5x35)	
	d	WPAA08000	Plain washer (M8)	



Ass'y	El't	Parts No.	Parts Names	Note
	1	HCD04013	Needle plate	
	2	HCD05010	Thread cutting device ass'y	
2*	3	HCD05030	Knife B ass'y	
2*	4	HCB05053	Knife drive shaft ass'y	
2*	5	HCB05090	Holder retainer	
2*	6	HCB05070	Bobbin thread holder	
2*	7	HCB05080	Holder support	
2*	8	HCB05062	Fixed knife	
2*	9	HCD05020	Thread cutting device base	
	10	HCA04060	Drive shaft retainer B	
	11	HCD04020	Rotary hook retainer	
	12	HCD79050	Keeper solenoid ass'y	
	13	PSA07B050	Slider (7.2x11x0.5)	
	14	HCB04022	Solenoid spring	
	15	MPR00520	O-ring (S-8)	
	16	HCD04091	Solenoid base	
	17	HCB04031	Keeper plunger	
	18	HCD04071	Keeper rod	
	19	HCD04031	Keeper ass'y	
	20	HCD04081	Stopper bracket	
	21	HCB04063	Shaft holder	
	23	HCM04150	Spring A	
	24	HSA04010	Rotary hook	
	25	MPZ00550	Bobbin	
	26	HSA04020	Bobbin case	
	26	HSA04030	Bobbin case (for throwaway bobbin)	
	A	MPZ00040	Screw for needle plate	
2*	B	HMF04260	Flat head screw	
2*	C	SSAA03003	Hexagon socket set screw (M3x3)	
2*	D	NHCA03000	Hexagon nut (M3)	
2*	E	SAAA03005	Hexagon socket button head screw (M3x5)	
2*	F	SSAA03010	Hexagon socket set screw (M3x10)	
	G	SSAA04004	Hexagon socket set screw (M4x4)	
	H	MPPW03012	Spring pin (3x12)	
	I	SCFA04008	Hexagon socket low head screw (M4x8)	
	J	SAAA03006	Hexagon socket button head screw (M3x6)	
	K	MPR00080	E-ring (E-5)	
	L	SCBA04006	Hexagon socket head cap screw with flange (M4x6)	
	M	SPAC2F004	Pan head screw (cross recessed, M2.6x4)	
	N	MPPW2E010	Spring pin (2.5x10)	
	O	WPAC2F000	Plain washer (M2.6)	
	P	MPR00300	E-ring (E-2)	
	Q	SCBA03006	Hexagon socket head cap screw with flange (M3x6)	
	R	SGAB04008	Flat head screw (cross recessed head, M4x8)	
	S	MPR00420	E-ring (E-4)	

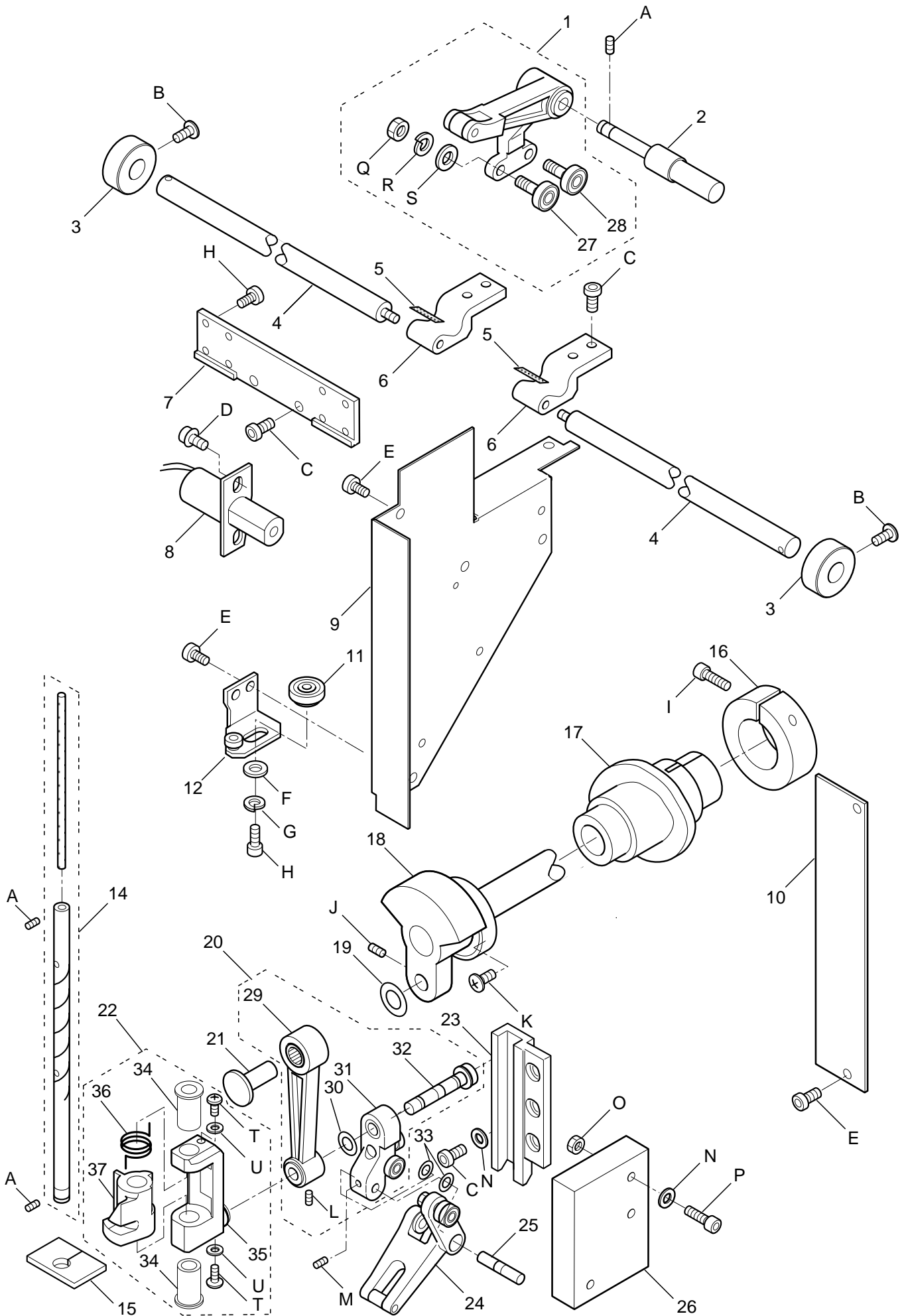


THREAD CUTTING DRIVER

CDG401

5a-1

Ass'y	El't	Parts No.	Parts Names	Note
	1	HCD06014	Rod ass'y	
	2	MPB01090	Bush	
	3	HCD06060	Link rod ass'y	
	4	HCB06241	Link pin	
	5	HCD06142	Drive lever	
	6	HCD06152	Detecting plate	
	7	HCD06160	Stopper	
	8	HMF17860	Thread tension lid	
	9	HCB14140	Sensor bracket	
	10	EPP00520	Photo interrupter	
	11	HCD06173	Motor bracket	
	12	HCB79201	Pulse motor	
	A	SSAA03003	Hexagon socket set screw (M3x3)	
	B	SSAA04004	Hexagon socket set screw (M4x4)	
	C	SCAA04006	Hexagon socket head cap screw (M4x6)	
	D	WPAA04000	Plain washer (M4)	
	E	SCEA04008	Hexagon socket low head screw (M4x8)	
	F	SPDB04008	Pan head screw (cross recessed, M4x8)	
	G	SPDD03006	Pan head screw (cross recessed, M3x6)	
	H	MPPW03012	Spring pin (3x12)	
	I	SCAA04008	Hexagon socket head cap screw (M4x8)	

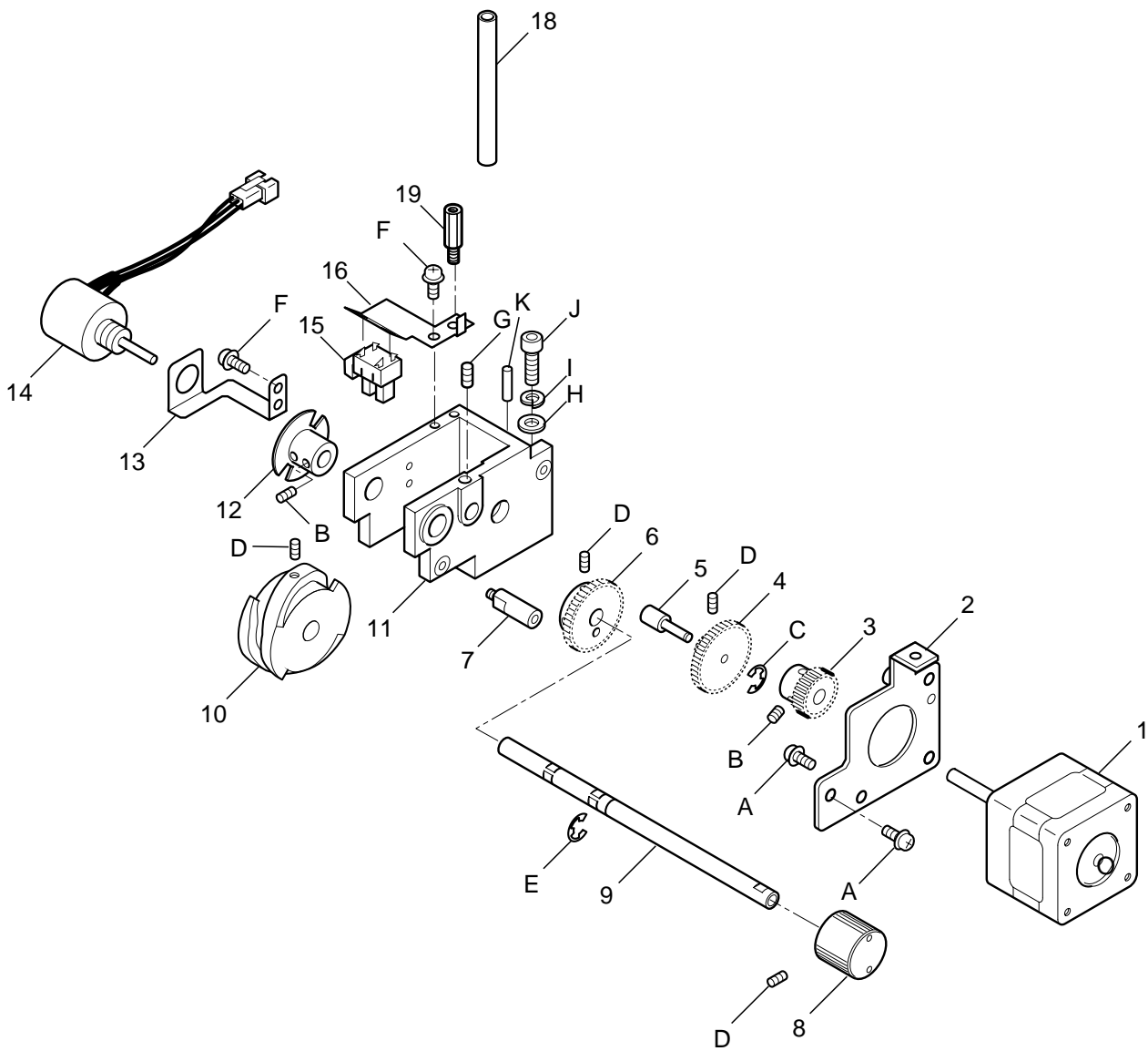


Ass'y	El't	Parts No.	Parts Names	Note
	1	HCD08061	Take-up lever crank ass'y	
	2	HCB08313	Take-up lever shaft	
	3	HCB55530	Shipping collar	
	4	HCD08231	Take-up lever guide bar	
	5	-	Guide tape	
	6	HCD08222	Take-up lever guide base	
	7	HCD08180	Rail bracket	
	8	HCB08501	Jump solenoid ass'y	
	9	HCD08204	Face plate (left)	
	10	HCD08192	Face plate (right)	
	11	HCBU08071	Positioning roller ass'y	
	12	HCD08162	Positioning plate ass'y	
	14	HCD908030	Head shaft	
	15	HCD08241	Felt	
	16	HCB08340	Fasten collar	
	17	HCD08101	Barrel cam	
	18	HCD08012	Crank ass'y	
	19	MPB00600	Plastic thrust washer (TW0920)	
	20	HCD08031	Rod ass'y	
	21	HCB08032	Crank pin	
	22	HCD08123	Needle bar driver ass'y	
	23	HCD09291	Guide rail	
	24	HCD09340	Pressure foot arm ass'y	
	25	HCD09390	Arm shaft	
	26	HCD09402	Pressure foot cam	
	27	HCD908010	Roller shaft ass'y	
	28	HCD908020	Eccentric roller shaft ass'y	
	29	HCD908040	Rod A ass'y	
	30	MPZ02550	Plastic thrust washer (6.2x9.5x0.5)	
	31	HCD09300	Fulcrum block ass'y	
	32	HCD908050	Rod pin ass'y	
	33	MPA00240	Plastic washer (CC-0512-05)	
	34	HCD08153	Head bushing	
	35	HCD908060	Arm ass'y	
	36	HCB08111	Jump spring	
	37	HCD08132	Needle bar driver	
	A	SSAA04004	Hexagon socket set screw (M4x4)	
	B	SPHB05010	Pan head screw (cross recessed, M5x10)	
	C	SCEA04010	Hexagon socket low head screw (M4x10)	
	D	SCBA04006	Hexagon socket head cap screw with flange (M4x6)	
	E	SCEA04008	Hexagon socket low head screw (M4x8)	
	F	WPCA4E13016	Plain washer (4x13)	
	G	WSAA04000	Spring lock washer (M4)	
	H	SCAA04010	Hexagon socket head cap screw (M4x10)	
	I	SCAA05020	Hexagon socket head cap screw (M5x20)	
	J	SSAA05004	Hexagon socket set screw (M5x4)	
	K	SBAB04006	Binding head screw (M4x6)	
	L	SSAA04004	Hexagon socket set screw (M4x4)	
	M	SSAA03003	Hexagon socket set screw (M3x3)	
	N	WPBA04000	Plain washer (M4)	
	O	NHAA04000	Hexagon nut (M4)	
	P	SCAA04018	Hexagon socket head cap screw (M4x18)	
	Q	NHBA05000	Hexagon nut (M5)	
	R	WSAA05000	Spring lock washer (M5)	
	S	WPBA05000	Plain washer (M5)	
	T	SBAD03004	Binding head screw (M3x4)	
	U	WPAD03000	Plain washer (M3)	

NEEDLE BAR CHANGE UNIT

CDG401

7a-1

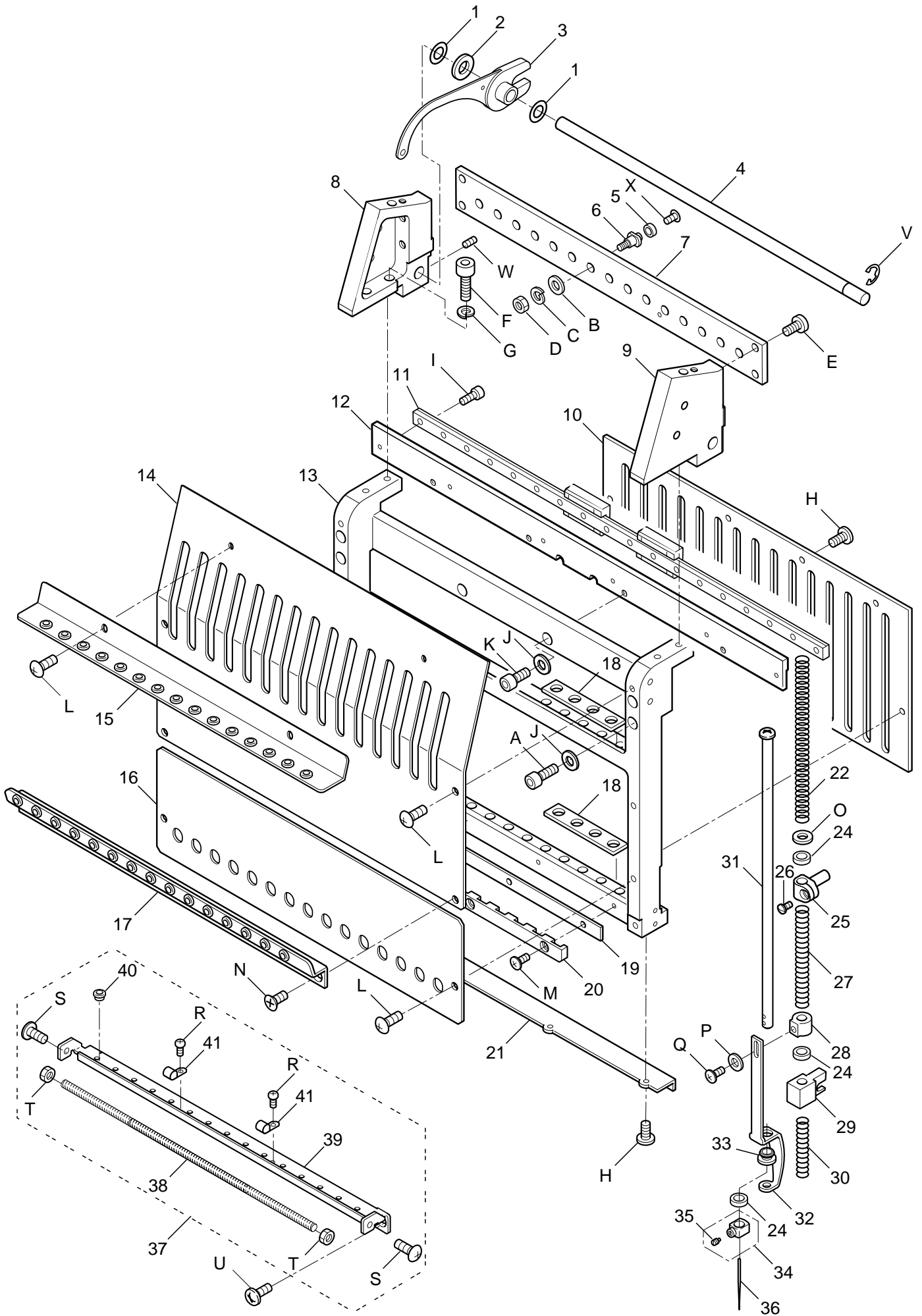


NEEDLE BAR CHANGE UNIT

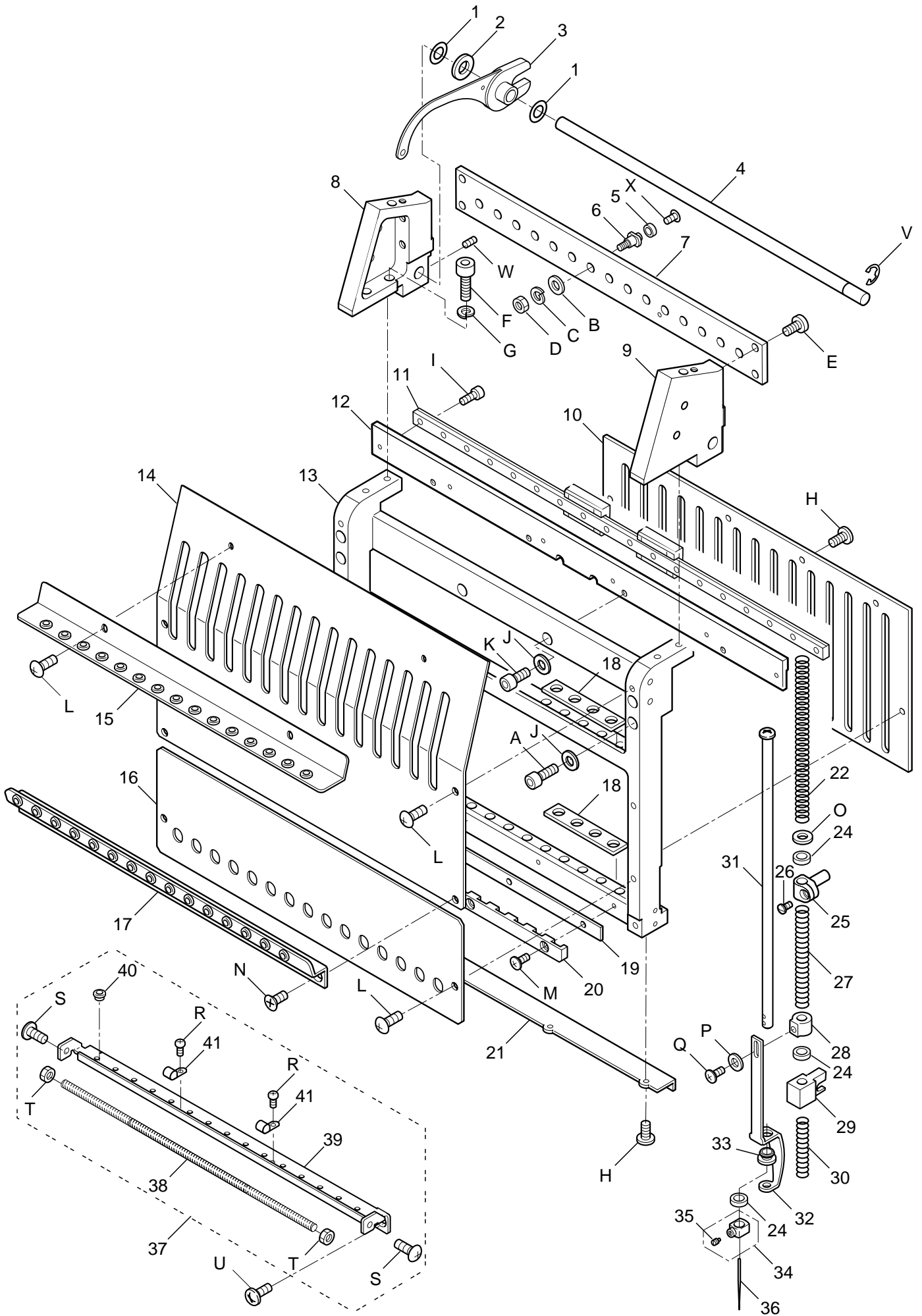
CDG401

7a-1

Ass'y	El't	Parts No.	Parts Names	Note
	1	HCD79110	Pulse motor	
	2	HCD10042	Motor bracket ass'y	
	3	HCD10011	Drive gear	
	4	HCB10042	Gear	
	5	HCB10020	Drive shaft A	
	6	HCB10051	Drive gear B	
	7	HCB10140	Screw	
	8	HCB10191	Knob	
	9	HCB10062	Drive shaft B	
	10	HCD10123	Cam	
	11	HCD10140	Base ass'y B	
	12	HCB10081	Slit collar	
	13	HCD10100	Hold plate P	
	14	HCB79400	Potentiometer ass'y	
	15	EPP00520	Photo interrupter	
	16	HCD10031	Sensor bracket	
	18	HCD10151	Oiling pipe	
	19	MPZ02960	Stud	
	A	SPDD03008	Pan head screw (cross recessed, M3x8)	
	B	SSAA03004	Hexagon socket set screw (M3x4)	
	C	MPR00300	E-ring (E-2)	
	D	SSAA03006	Hexagon socket set screw (M3x6)	
	E	MPR00080	E-ring (E-5)	
	F	SPCB03006	Pan head screw (cross recessed, M3x6)	
	G	SSAA04005	Hexagon socket set screw (M4x5)	
	H	WPAA04000	Plain washer (M4)	
	I	WSAA04000	Spring lock washer (M4)	
	J	SCAA04012	Hexagon socket head cap screw (M4x12)	
	K	MPPW03012	Spring pin (3x12)	



Ass'y	El't	Parts No.	Parts Names	Note
	1	MPZ02970	Plastic thrust washer (LL-8212-01)	
	2	MPA00250	Plastic washer (CC-0816-15)	
	3	HCB12093	Take-up lever ass'y	
	4	HCD12070	Take-up lever shaft	
	5	HCD10081	Roller	
	6	HCB10113	Roller shaft	
	7	HCD10130	Trailing plate (15) type B	
	8	HCD12066	connecting block (left)	
	9	HCD12057	connecting block (right)	
	10	HCD12081	Needle bar boss check plate	
	11	HCD12021	Upper rail	
	12	HCD12034	Rail support	
	13	HCD12011	Moving head	
	14	HCD12150	Front panel (for 15 needle)	
	15	HCD12160	Thread guide plate A ass'y (for 15 needle)	
	16	HSA12200	Lower front panel (for 15 needle)	
	17	HCD12181	Thread guide plate B ass'y (for 15 needle)	
	18	HMG12582	Felt	
	19	HMG12870	Pressure foot sheet (for 15 needle)	
	20	HMG12890	Pressure foot guide (for 15 needle)	
	21	HCD12040	Rail	
	22	HCB12181	Needle bar spring	
	24	HCB12190	Cushion	
	25	HCB12120	Needle bar boss	
	26	HCB12131	Screw for needle bar boss	
	27	HCD12132	Pressure foot spring	
	28	HCD12091	Pressure foot boss	
	29	HCD12103	Pressure foot block	
	30	HCD12140	Pressure foot spring (lower)	
	31	HCD12111	Needle bar ass'y	
	32	HMG13630	Pressure foot	
	33	HMF12112	Bushing	
	34	HSA12010	Needle holder ass'y	
34*	35	HSA12020	Screw for needle holder C	
	36	MPZ00150	Needle (#11)	
	37	HSA12250	Lower thread guide plate ass'y (for 15 needle)	
37*	38	HMG12850	Spring (for 15 needle)	
37*	39	HSA12110	Lower thread guide plate (for 15 needle)	
37*	40	HSA12030	Eyelet	
37*	41	HSA12150	Spring bracket	

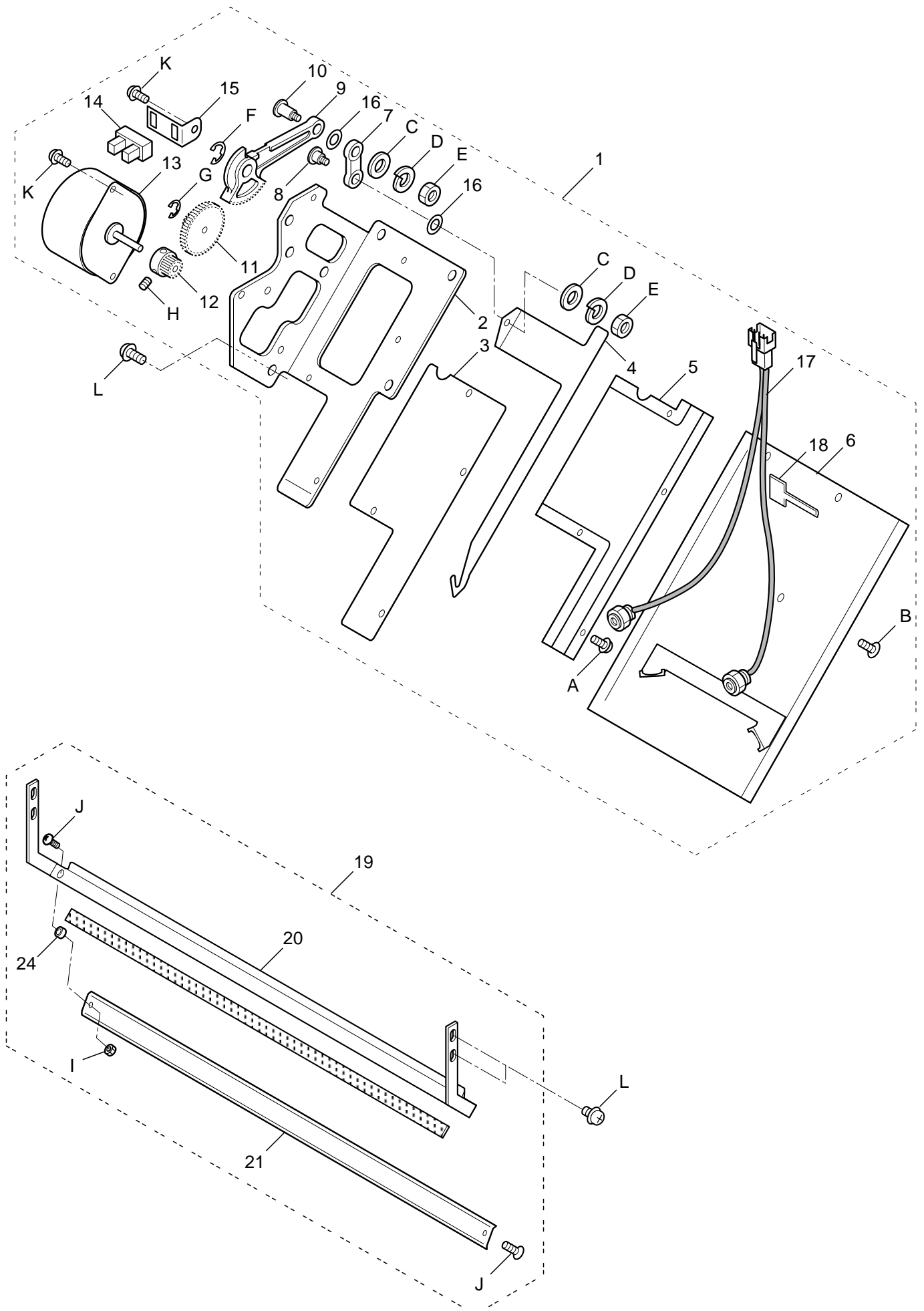


Ass'y	El't	Parts No.	Parts Names	Note
	A	SCCA04020	Hexagon socket head cap screw (M4x20)	
	B	WPAD05000	Plain washer (M5)	
	C	WSAD05000	Spring lock washer (M5)	
	D	NHAD05000	Hexagon nut (M5)	
	E	SCEA04010	Hexagon socket low head screw (M4x10)	
	F	SCAD05015	Hexagon socket head cap screw (M5x15)	
	G	WSAD05000	Spring lock washer (M5)	
	H	SCFA04008	Hexagon socket low head screw (M4x8)	
	I	SCAA03005	Hexagon socket head cap screw (M3x5)	
	J	WPBA04000	Plain washer (M4)	
	K	SCCA04006	Hexagon socket head cap screw (M4x6)	
	L	STAB04006	Truss head screw (cross recessed, M4x6)	
	M	SBAD03008	Binding head screw (M3x8)	
	N	SGAB04008	Flat head screw (cross recessed head, M4x8)	
	O	WPBD06000	Plain washer (M6)	
	P	WPAD03000	Plain washer (M3)	
	Q	SBBB03005	Binding head screw (M3x5)	
37*	R	SPAB03005	Pan head screw (cross recessed, M3x5)	
37*	S	STAB04012	Truss head screw (cross recessed, M4x12)	
37*	T	NHAB04000	Hexagon nut (M4)	
	U	SBAB04008	Binding head screw (M4x8)	
	V	MPR000470	E-ring (E-6)	
	W	SSAA04004	Hexagon socket set screw (M4x4)	
	X	SBAD03006	Binding head screw (M3x6)	

THREAD CATCHER

CDG401

9a-1



THREAD CATCHER

CDG401

9a-1

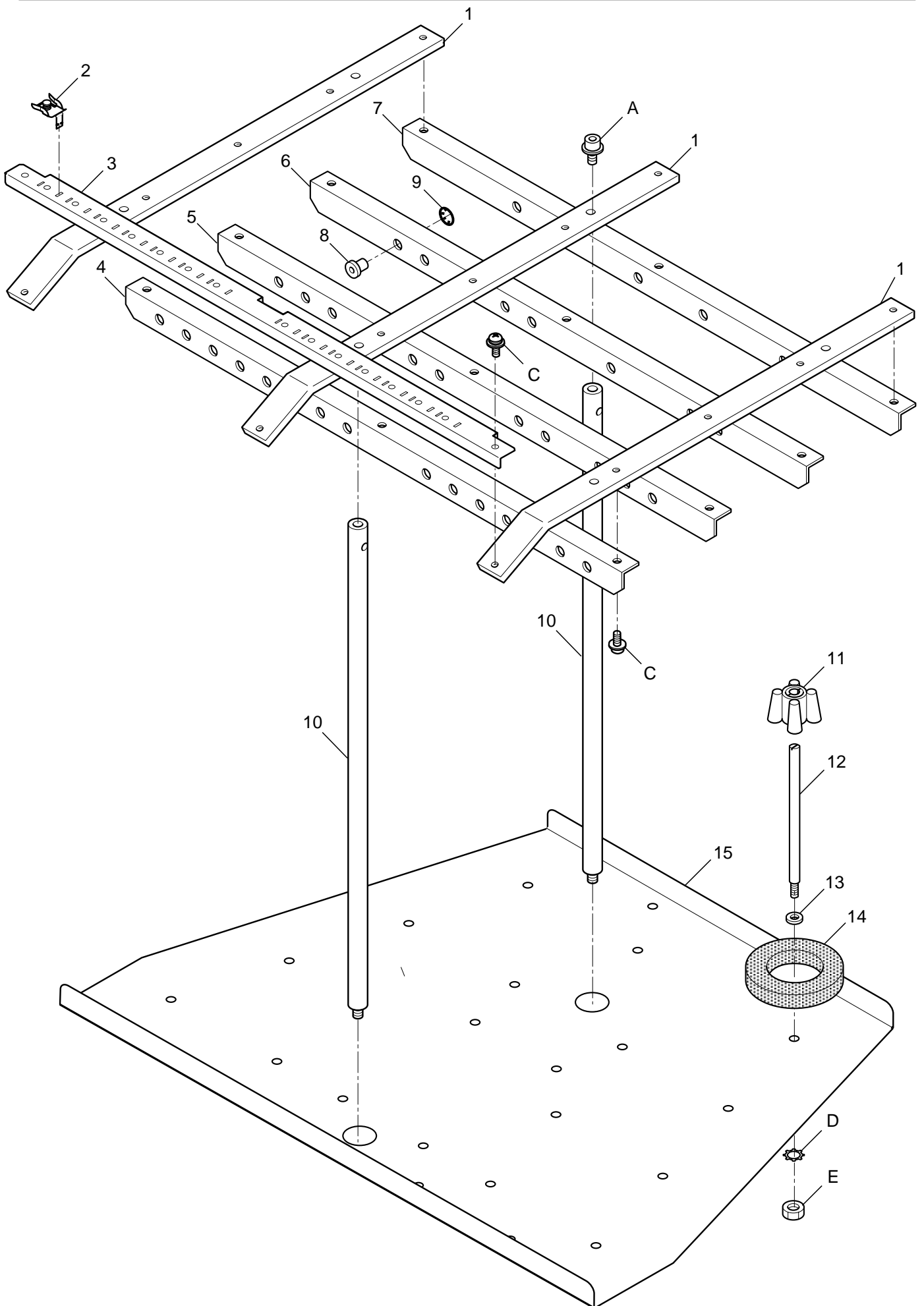
Ass'y	El't	Parts No.	Parts Names	Note
	1	HCD914050	Thread catcher ass'y	
1*	2	HCB14017	Bracket	
1*	3	HCB14124	Sheet	
1*	4	HCB14291	Hook	
1*	5	HCB14136	Guide	
1*	6	HCD14051	Guard plate ass'y	
1*	7	HCB14081	Link	
1*	8	HCB14100	Screw	
1*	9	HCB14070	Rod	
1*	10	HCB14090	Link screw	
1*	11	HCB10042	Gear	
1*	12	HCB10033	Drive gear A	
1*	13	EPM00520	Pulse motor	
1*	14	EPP00520	Photo interrupter	
1*	15	HCB14140	Sensor bracket	
1*	16	MPA00170	Plastic washer (CC-0509-03)	
1*	17	HCD79151	LED ass'y	
1*	18	EPN00390	Cord keep (K-103G)	
	19	HCD14011	Thread holder ass'y	
19*	20	HCD14020	Holder (upper)	
19*	21	HCD14030	Holder (lower)	
19*	22	HCD914040	Magic tape (with adhesive tape)	
19*	24	HCD14090	Spacer	
1*	A	SPDB03008	Pan head screw (cross recessed, M3x8)	
1*	B	STAB03006	Truss head screw (cross recessed, M3x6)	
1*	C	WPBD03000	Plain washer (M3)	
1*	D	WSAD03000	Spring lock washer (M3)	
1*	E	NHCD03000	Hexagon nut (M3)	
1*	F	MPR00420	E-ring (E-4)	
1*	G	MPR00300	E-ring (E-2)	
1*	H	SSAA03003	Hexagon socket set screw (M3x3)	
1*	I	NHBB02000	Hexagon nut (M2)	
19*	J	SPAB02008	Pan head screw (cross recessed, M2x6)	
1*	K	SPFB03006	Pan head screw (cross recessed, M3x6)	
	L	SPDB04008	Pan head screw (cross recessed, M4x8)	

Ass'y	El't	Parts No.	Parts Names	Note
	1	HCD17060	Cover	
	2	HCD81060	TC15 board ass'y	
	3	HCD17170	TC board bracket	
	4	HCD17052	Thread guide bracket	
	5	HCD17070	Thread guide unit	
	6	HCB16470	Slit disc	
	7	MPA00260	Spacer	
	8	HCB16022	Roller shaft	
	9	M0445080	Roller shaft support	
	10	HCD17090	Rotary ass'y	
	11	HCD17110	Thread guide bar	
	12	HCD17120	Guide brush (for 15 needle)	
	13	HCD17160	Adhesive tape (15)	
	14	HCG70072	Earth cord	
	15	HCA17033	Thread tension box (for 15 needle)	
	16	HCD17141	Reinforcement plate (right)	
	17	HCD17150	Reinforcement plate (left)	
	18	M0420901	Plate nut	
	19	HCD17180	Base plate	
	20	HCD17130	Thread tension ass'y	
	21	M0416186	Thread adjusting spring	
	22	HMG17260	Thread tension bracket (for 15 needle)	
	23	HMF17870	Adjusting plate	
	24	HMF17821	Isolation plate	
	25	HCD17030	Fixing plate	
	26	CGB16011	Thread guide upper ass'y (for 15 needle)	
	27	CGB16031	Thread guide lower ass'y (for 15 needle)	
	28	HCD17040	Lid	
	29	HCD51010	Threading instruction sticker	
A		SPDD03006	Pan head screw (cross recessed, M3x6)	
B		STAB04006	Truss head screw (cross recessed, M4x6)	
C		NHAA04000	Hexagon nut (M4)	
D		WSAA04000	Spring lock washer (M4)	
E		WPAD04000	Plain washer (M4)	
F		SBAB04014	Binding head screw (M4x14)	
G		NHAD03000	Hexagon nut (M3)	
H		WSAD03000	Spring lock washer (M3)	
I		WPAD03000	Plain washer (M3)	
J		SPDB04010	Pan head screw (cross recessed, M4x10)	
K		WSAD04000	Spring lock washer (M4)	
L		SCAD04018	Hexagon socket head cap screw (M4x18)	
M		SCAD04006	Hexagon socket head cap screw (M4x6)	
N		SCAD04008	Hexagon socket head cap screw (M4x8)	
O		NHAD04000	Hexagon nut (M4)	
P		SCFD04012	Hexagon socket low head screw (M4x12)	
Q		SCAD03006	Hexagon socket head cap screw (M3x6)	
R		SPAC2E006	Pan head screw (cross recessed, M2.5x6)	
S		NHAB2E000	Hexagon nut (M2.5)	
T		NHAB04000	Hexagon nut (M4)	
U		SBAB04008	Binding head screw (M4x8)	

THREAD STAND

CDG401

11a-1

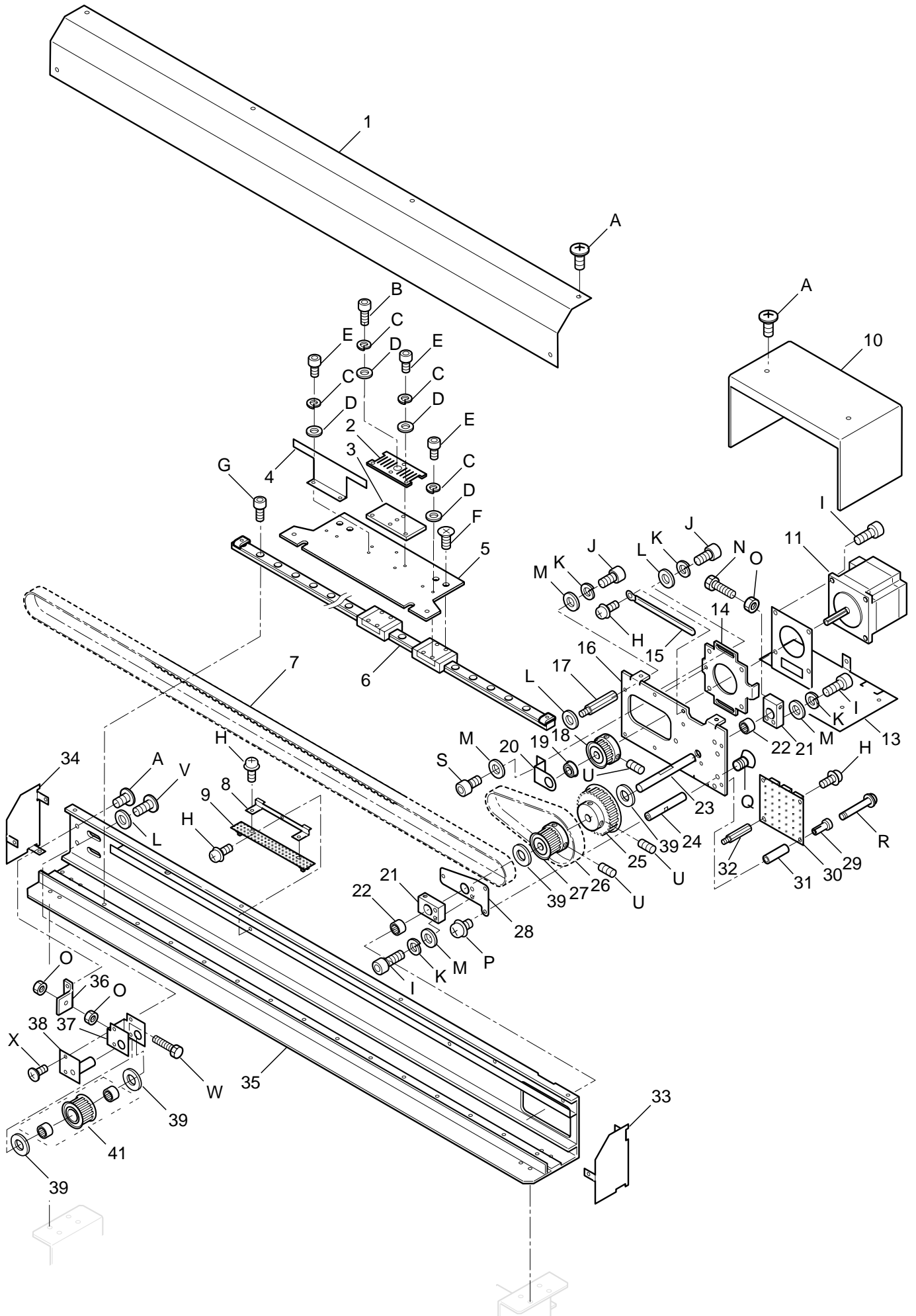


THREAD STAND

CDG401

11a-1

Ass'y	El't	Parts No.	Parts Names	Note
	1	HCD20052	Thread guide connecting plate	
	2	HC20062	Upper rectifier	
	3	HCD20073	Thread rectifier fixing plate	
	4	HCD20080	Thread guide A	
	5	HCD20090	Thread guide B	
	6	HCD20100	Thread guide C	
	7	HCD20111	Thread guide D	
	8	M0445080	Eyelet	
	9	MPR00110	SE-ring (SE-7)	
	10	HCD20041	Thread guide pillar	
	11	MPZ00340	Plastic spring	
	12	M0420032	Thread stand pin	
	13	M0420890	Washer	
	14	HMF20571	Thread stand felt (80)	
	15	HCD20012	Thread stand	
	A	SCBD04008	Hexagon socket head cap screw with flange (M4x8)	
	C	SPDD03008	Pan head screw (cross recessed, M3x8)	
	D	WTBC06000	Toothed lock washer	
	E	NHAB05000	Hexagon nut (M5)	

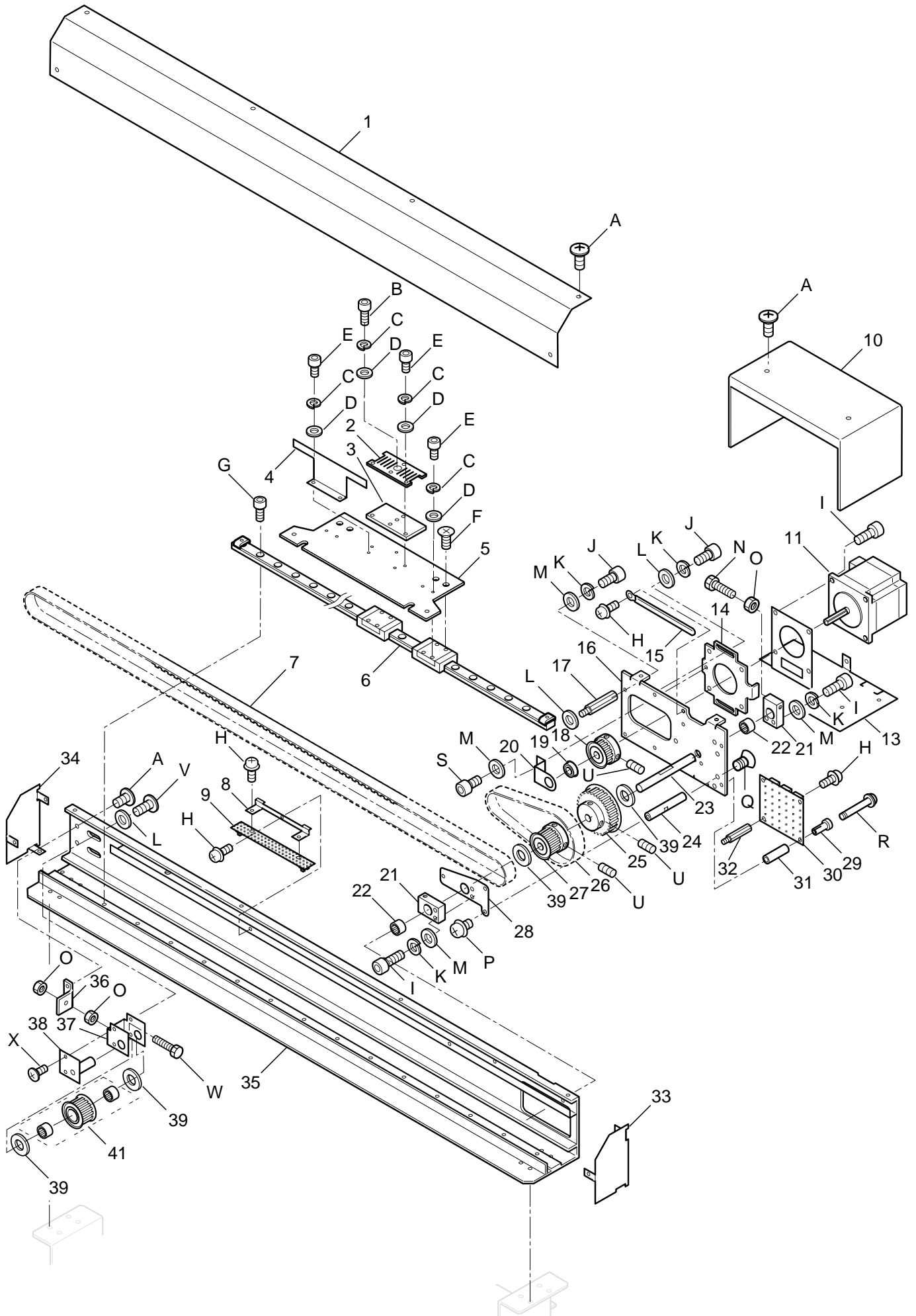


Ass'y	El't	Parts No.	Parts Names	Note
	1	HCD24281	Base cover	
	2	HCD24370	Belt holding plate ass'y	
	3	HCD24042	Belt fixing plate	
	4	HCD24060	Detecting plate	
	5	HCD24032	Connecting plate	
	6	HCD24021	LM guide	
	7	MPV00750	Timing belt	
	8	HCD24071	Sensor bracket	
	9	HCD81100	Position sensor board ass'y	
	10	HCD24253	Drive cover	
	11	HCD79120	X pulse motor ass'y	
	13	HCD24320	Lower drive cover	
	14	HCD24210	Motor bracket	
	15	EPN00540	Clip	
	16	HCD24232	Drive base	
	17	MPZ02980	Stud	
	18	HCD24170	Drive pulley	
	19	FRA43520	Bearing (LF-1280ZZ)	
	20	HCD24220	Motor shaft support	
	21	HCD24200	Drive shaft support B	
	22	MPB00910	Needle bearing (HK0810C)	
	23	HCD24191	Drive shaft	
	24	HCD24300	Deceleration stud	
	25	HCD24181	Deceleration pulley	
	26	MPV00740	Timing belt	
	27	HCD24290	Deceleration pulley (small)	
	28	HCD24310	Deceleration shaft support	
	29	EPN00410	Collar bushing	
	30	HCD81110	Sensor relay board ass'y	
	31	EPN00640	Collar	
	32	MPZ02990	Stud	
	33	HCD24261	Cover (right)	
	34	HCD24271	Cover (left)	
	35	HCD24013	X carriage base	
	36	HCD24141	Tension pulley support	
	37	HCD24101	Tension pulley bracket	
	38	HCD24111	Tension pulley shaft ass'y	
	39	MPA00270	Plastic washer	
	41	HCD924010	Tension pulley ass'y	

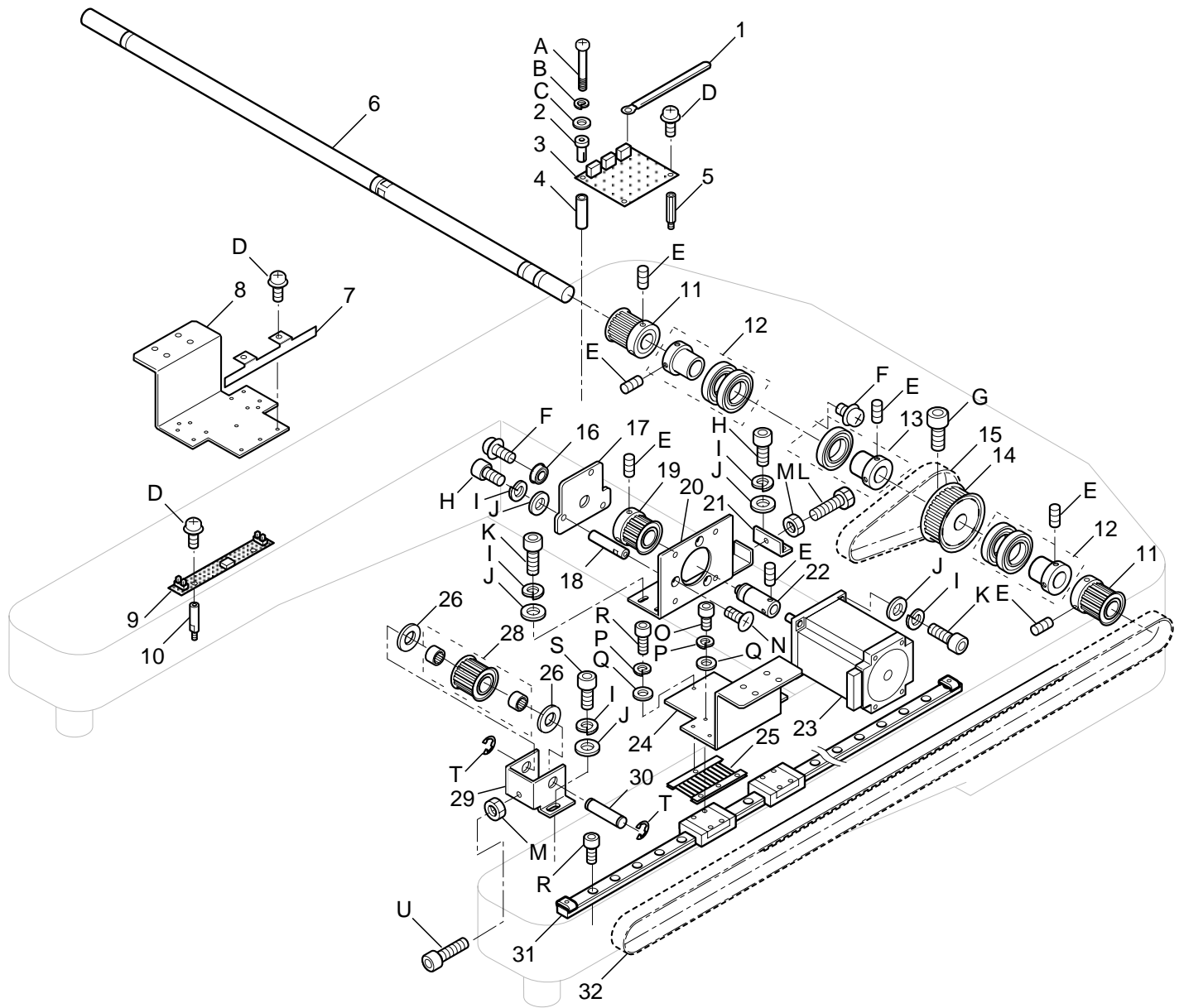
X CARRIAGE

CDG414

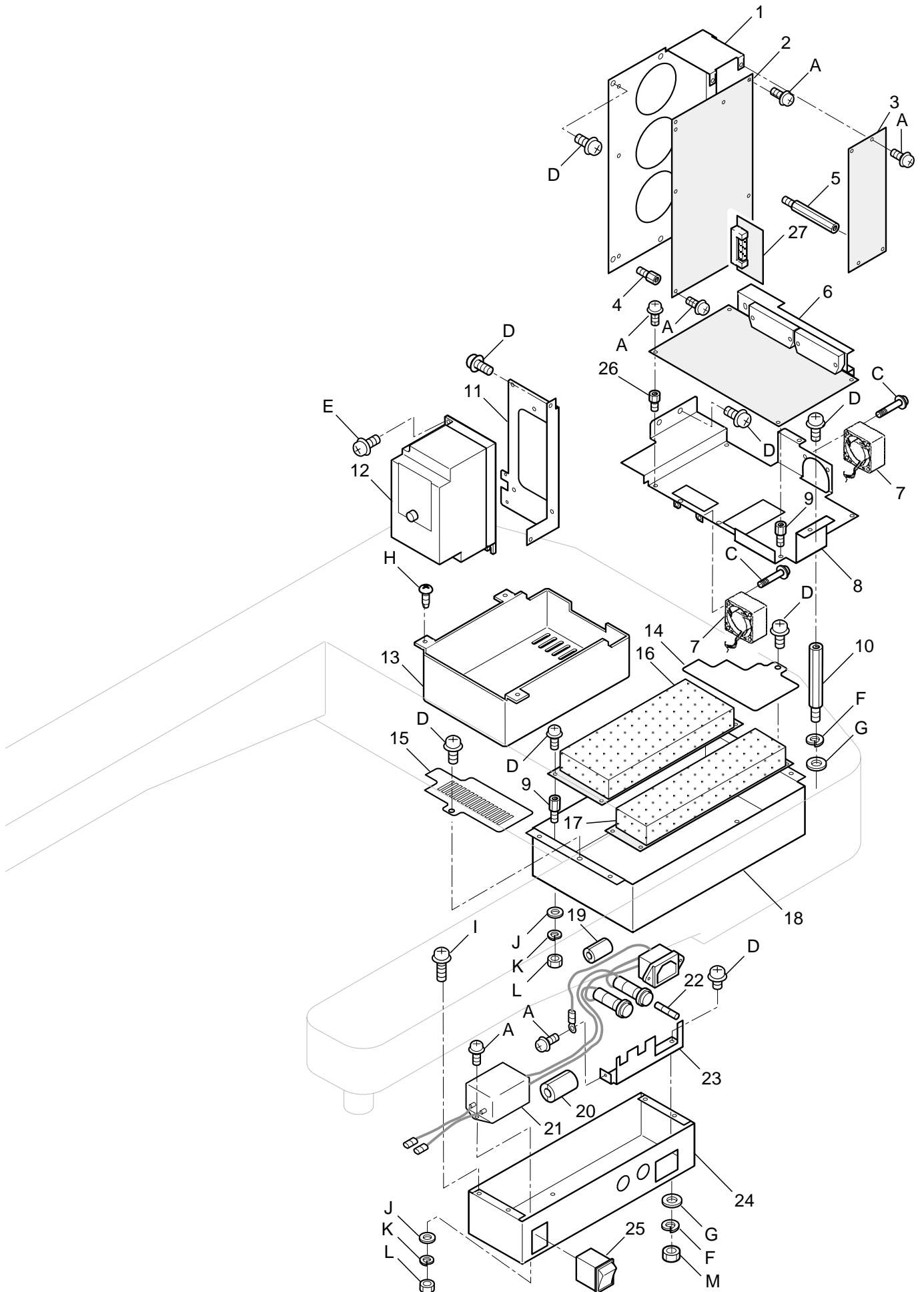
12a-2



Ass'y	El't	Parts No.	Parts Names	Note
	A	STAB04006	Truss head screw (cross recessed, M4x6)	
	B	SCAA03015	Hexagon socket head cap screw (M3x15)	
	C	WSAA03000	Spring lock washer (M3)	
	D	WPAA03000	Plain washer (M3)	
	E	SCAA03006	Hexagon socket head cap screw (M3x6)	
	F	SGAB03005	Flat head screw (cross recessed head, M3x5)	
	G	SCAA03008	Hexagon socket head cap screw (M3x8)	
	H	SPDD03006	Pan head screw (cross recessed, M3x6)	
	I	SCAA04015	Hexagon socket head cap screw (M4x15)	
	J	SCAA04010	Hexagon socket head cap screw (M4x10)	
	K	WSAA04000	Spring lock washer (M4)	
	L	WPAD04000	Plain washer (M4)	
	M	WPAA04000	Plain washer (M4)	
	N	SHBB04030	Hexagon head bolt (M4x30)	
	O	NHCB04000	Hexagon nut (M4)	
	P	SPDB04006	Pan head screw (cross recessed, M4x6)	
	Q	SGAB04006	Flat head screw (cross recessed head, M4x6)	
	R	SPDC03030	Pan head screw (cross recessed, M3x30)	
	S	SCAA04006	Hexagon socket head cap screw (M4x6)	
	U	SSAA04006	Hexagon socket set screw (M4x6)	
	V	STAB04010	Truss head screw (cross recessed, M4x10)	
	W	SHBB04022	Hexagon head bolt (M4x22)	
	X	STAD03005	Truss head screw (cross recessed, M3x5)	



Ass'y	El't	Parts No.	Parts Names	Note
	1	EPN00540	Clip	
	2	EPN00410	Collar bushing	
	3	HCD81110	Sensor relay board ass'y	
	4	EPN00640	Collar	
	5	MPZ02990	Stud	
	6	HCD25142	Drive shaft Y	
	7	HCD25121	Detecting plate Y	
	8	HCD25072	Stay (left)	
	9	HCD81100	Position sensor board ass'y	
	10	HCB01770	Screw	
	11	HCD25010	Drive pulley (small)	
	12	HCD925020	Drive shaft collar Y ass'y A	
	13	HCD925030	Drive shaft collar Y ass'y B	
	14	HCD25021	Drive pulley (large)	
	15	MPV00760	Timing belt	
	16	MPB01080	Bearing (FLAW678AZZ)	
	17	HCD25201	Motor shaft support	
	18	HCD25210	Shaft support stud	
	19	HCD25190	Motor pulley	
	20	HCD25173	Motor bracket Y	
	21	HCD25180	Tension support Y	
	22	HCD25162	Motor shaft Y	
	23	HCD79130	Y pulse motor ass'y	
	24	HCD25082	Stay (right)	
	25	HCD25091	Belt holding plate ass'y	
	26	MPA00270	Plastic washer	
	28	HCD925010	Idler pulley ass'y	
	29	HCD25041	Idler bracket Y	
	30	HCD25052	Idler shaft Y	
	31	HCD25060	Guide Y	
	32	MPV00770	Timing belt	
	A	SPAC03030	Pan head screw (cross recessed, M3x30)	
	B	WSAD03000	Spring lock washer (M3)	
	C	WPAD03000	Plain washer (M3)	
	D	SPDD03006	Pan head screw (cross recessed, M3x6)	
	E	SSAA04006	Hexagon socket set screw (M4x6)	
	F	SPDB04006	Pan head screw (cross recessed, M4x6)	
	G	SCAA05010	Hexagon socket head cap screw (M5x10)	
	H	SCAA04010	Hexagon socket head cap screw (M4x10)	
	I	WSAA04000	Spring lock washer (M4)	
	J	WPAA04000	Plain washer (M4)	
	K	SCAA04030	Hexagon socket head cap screw (M4x30)	
	L	SHBA04018	Hexagon headed screw (M4x18)	
	M	NHAD04000	Hexagon nut (M4)	
	N	SGAB04008	Flat head screw (cross recessed head, M4x8)	
	O	SCAA03006	Hexagon socket head cap screw (M3x6)	
	P	WSAA03000	Spring lock washer (M3)	
	Q	WPAA03000	Plain washer (M3)	
	R	SCAA03008	Hexagon socket head cap screw (M3x8)	
	S	SCAA04008	Hexagon socket head cap screw (M4x8)	
	T	MPR00480	E-ring (E-8)	
	U	SCAD04025	Hexagon socket head cap screw (M4x25)	

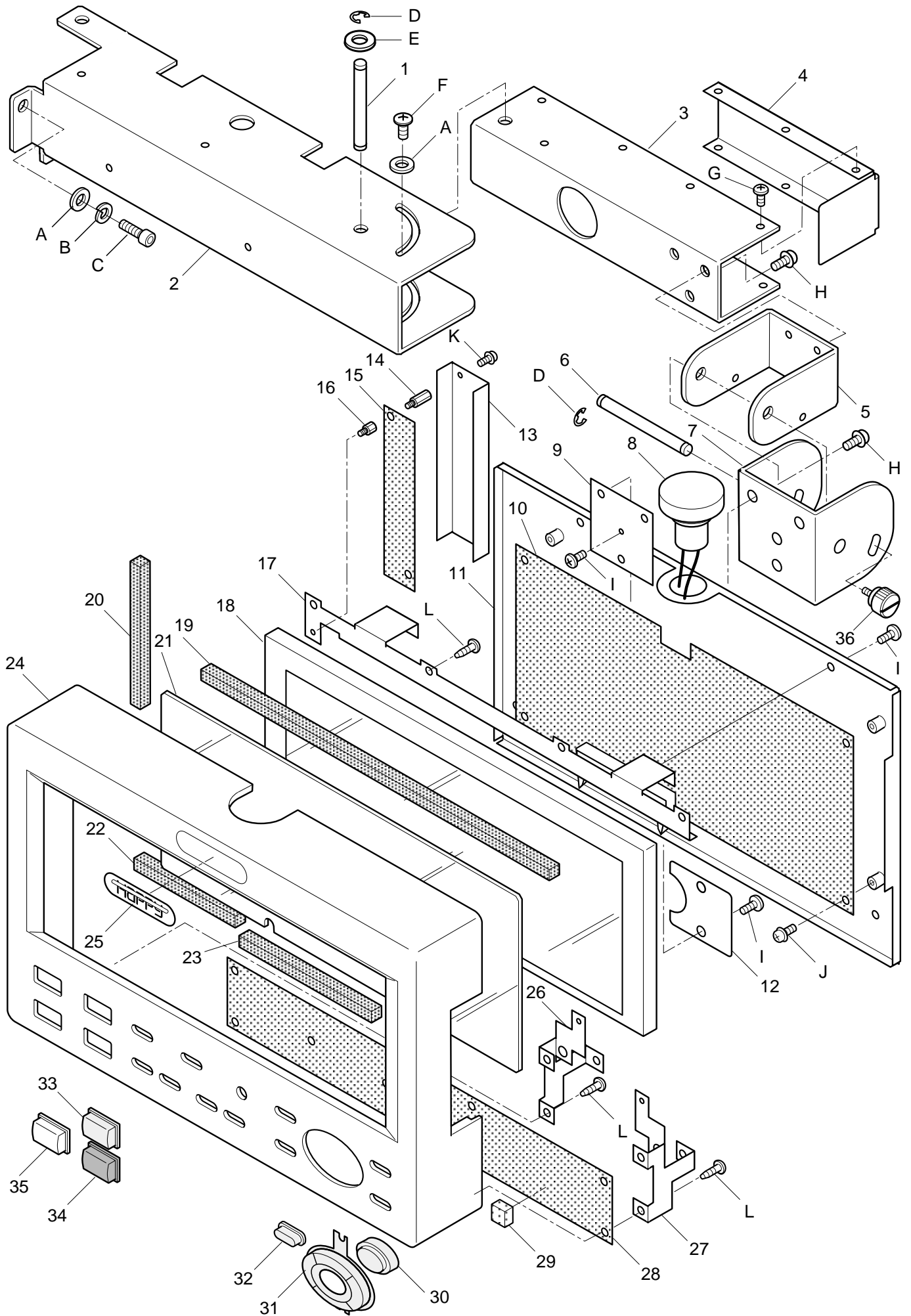


Ass'y	El't	Parts No.	Parts Names	Note
	1	HCD27173	CPU board bracket	
	2	HCD81000	CPU board ass'y	
	3	HCB81075	Serial board ass'y	
	4	MPZ01330	Stud (BSB-308)	
	5	MPZ03020	Stud (ASB-360)	
	6	HCD81050	Drive A board ass'y	
	7	HCD79160	DC fan	
	8	HCD27024	Drive board bracket	
	9	MPZ03030	Stud (MSB-306-03)	
	10	MPZ03010	Stud (BSB-446)	
	11	HCD27082	Inverter bracket	
	12	EPM00531	Inverter (100V)	
	12	EPM00580	Inverter (200V)	
	13	HCD27204	Under cover	
	14	HCD27190	Power supply cover B	
	15	HCD27180	Power supply cover A	
	16	EPK00940	Power supply (36V)	
	17	EPK00930	Power supply (24V)	
	18	HCD27052	Power switch ass'y box	
	19	EPK00910	Clamp filter	
	20	EPK00890	Clamp filter	
	21	HCD79180	Inlet filter ass'y	
	22	EPF00360	Fuse (6A)	
	23	HCD27062	Fuse bracket	
	24	HCD27045	Power supply box	
	25	EPS00890	Power switch	
	26	MPZ03100	Stud (PSB-306E)	
	27	HCD81010	Additional memory (option)	
	A	SPDD03006	Pan head screw (cross recessed, M3x6)	
	C	SPDD03016	Pan head screw (cross recessed, M3x16)	
	D	SPDB04008	Pan head screw (cross recessed, M4x8)	
	E	SPDB04010	Pan head screw (cross recessed, M4x10)	
	F	WSAD04000	Spring lock washer (M4)	
	G	WPAD04000	Plain washer (M4)	
	H	SBCB03008	Pan head tapping screw (M3x12)	
	I	SPDB04025	Pan head screw (cross recessed, M4x25)	
	J	WPAD03000	Plain washer (M3)	
	K	WSAD03000	Spring lock washer (M3)	
	L	NHAD03000	Hexagon nut (M3)	
	M	NHAD04000	Hexagon nut (M4)	

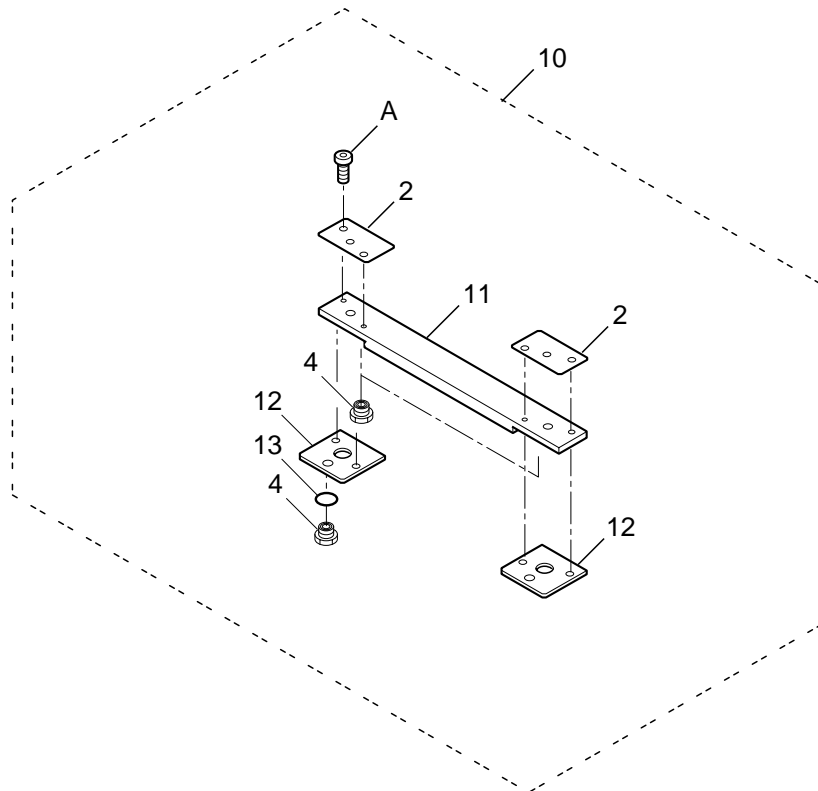
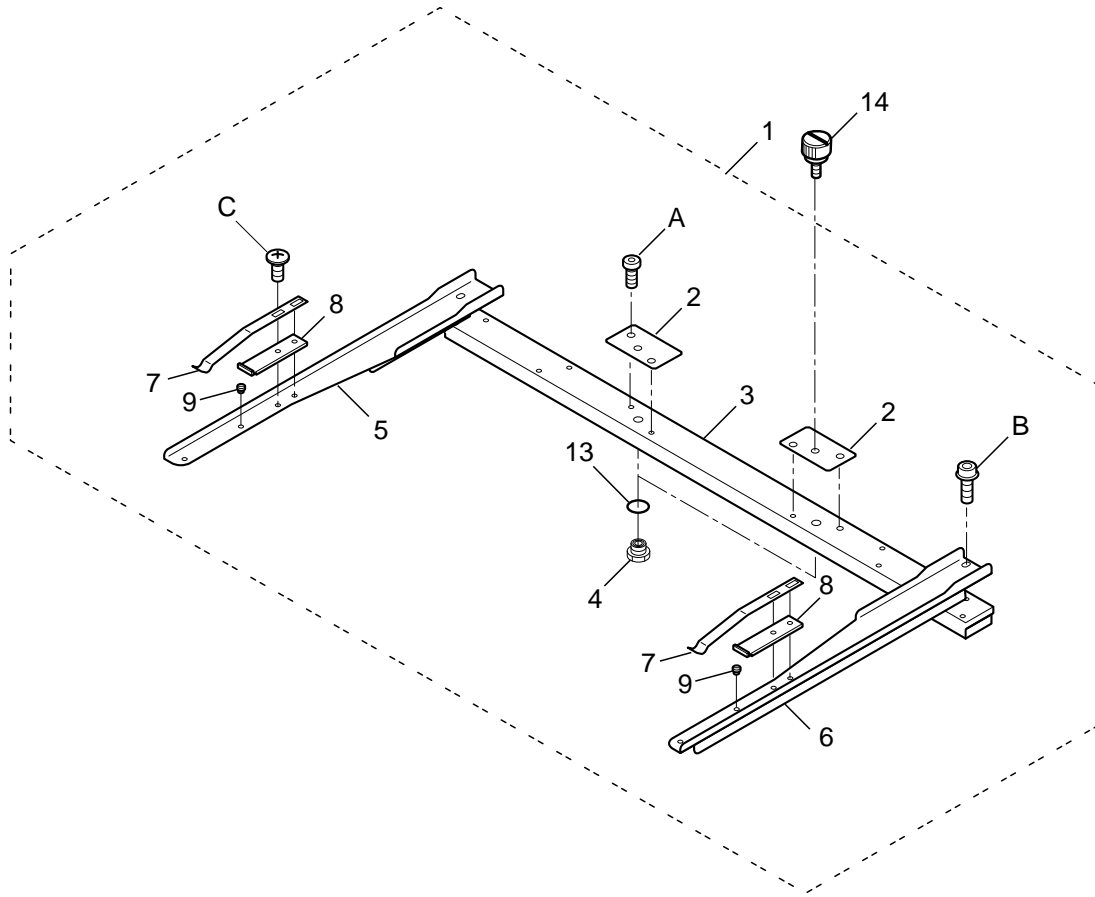
CONTROL BOX

CDG421

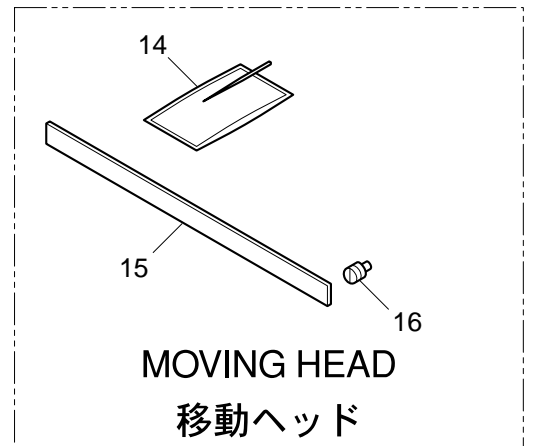
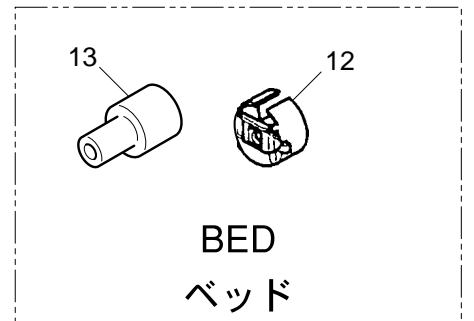
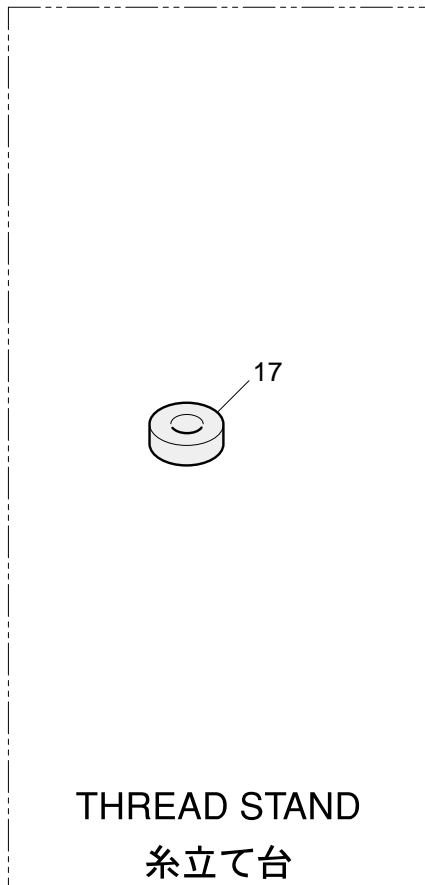
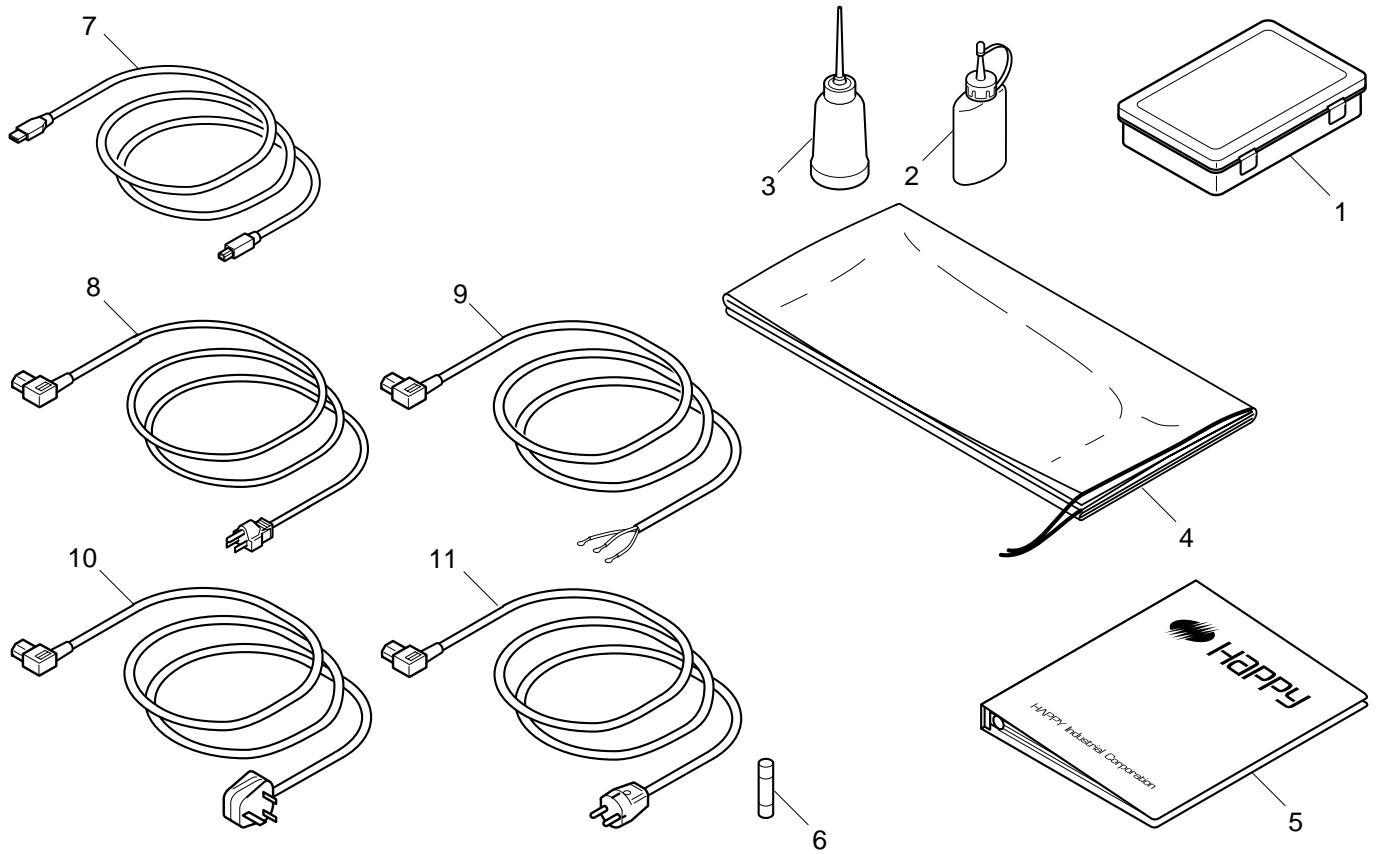
15a-1



Ass'y	El't	Parts No.	Parts Names	Note
	1	HCD29171	Support shaft B	
	2	HCD29212	Fixing bracket A	
	3	HCD29222	Fixing bracket B	
	4	HCD29231	Cover (rear)	
	5	HCD29162	Bracket B	
	6	HCD29151	Support shaft A	
	7	HCD29141	Bracket A	
	8	HCD79000	Emergency stop switch (with cable)	
	9	HCB29370	Plate nut	
	10	HCD81020	LCD, ATA board ass'y	
	11	HCB29262	Panel ass'y (rear)	
	12	HCB29312	Cord lid HCD	
	13	HCB29410	Inverter cover	
	14	MPZ03060	Stud	
	15	EPZ00800	Back light inverter unit	
	16	MPZ03050	Stud	
	17	HCB29152	Display bracket A	
	18	EPZ00790	LCD unit	
	19	HCB29200	Sealing A	
	20	HCB29210	Sealing B	
	21	HCB29131	Display panel	
	22	HCB29350	Sealing C	
	23	-	Sealing D	
	24	HCD29010	Panel (front) HCD	
	25	HCB29140	Emblem	
	26	HCB29331	Fixing bracket (left)	
	27	HCB29321	Fixing bracket (right)	
	28	HCD81030	Switch board ass'y	
	29	HCB29360	Cushion	
	30	HCB29290	Key top (SET)	
	31	HCB29281	Multi key top	
	32	HCB29301	Key top (FUNC)	
	33	HCB29380	Key top B (CUT)	
	34	HCB29390	Key top (STOP)	
	35	HCB29400	Key top (START)	
	36	HCD37090	Knob screw A (M4)	
	A	WPAD04000	Plain washer (M4)	
	B	WSAD04000	Spring lock washer (M4)	
	C	SCAD04012	Hexagon socket head cap screw (M4x12)	
	D	MPR00080	E-ring (E-5)	
	E	WPAD06000	Plain washer (M6)	
	F	STAB04008	Truss head screw (cross recessed, M4x8)	
	G	SBAD03006	Binding head screw (M3x6)	
	H	SPDD04008	Pan head screw (cross recessed, M4x8)	
	I	SBAB03005	Binding head screw (M3x5)	
	J	SPDD03006	Pan head screw (cross recessed, M3x6)	
	K	SPDD02005	Pan head screw (cross recessed, M2x5)	
	L	SMAB03008	Pan head tapping screw (M3x8)	



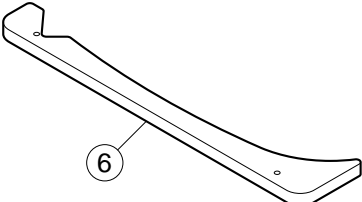
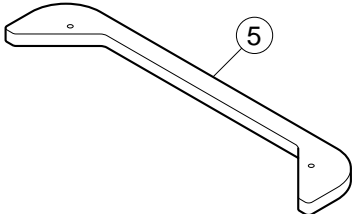
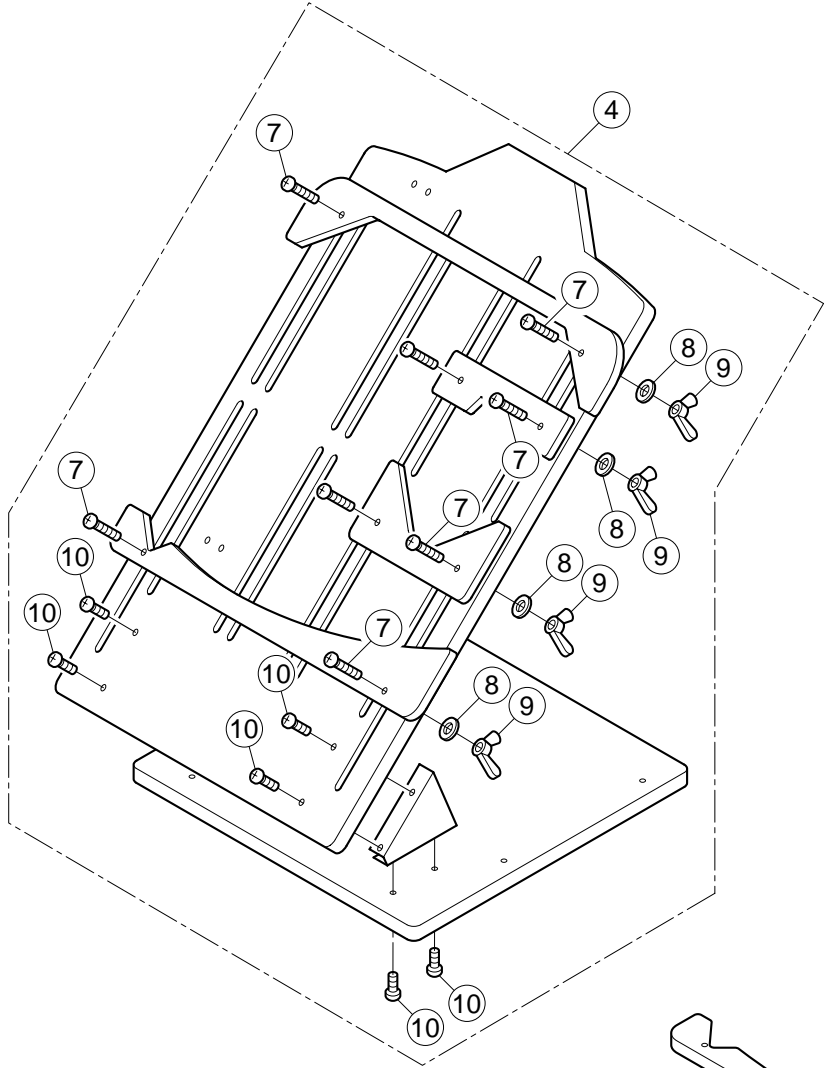
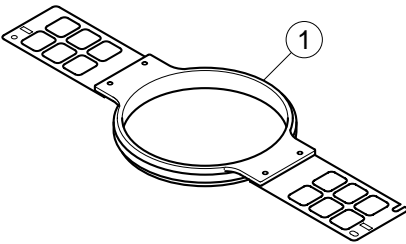
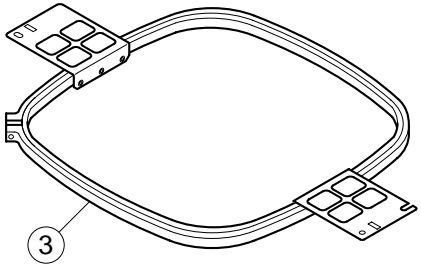
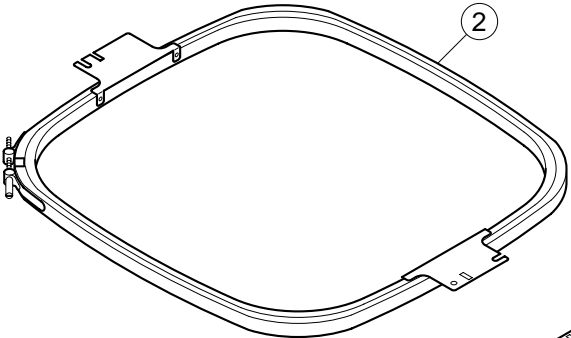
Ass'y	El't	Parts No.	Parts Names	Note
	1	HCD937020	Frame base ass'y	
	2	HCD37030	Spacer A	
	3	HCD37023	Tubular frame bracket B	
	4	M0438941	Insert nut	
	5	HCA37061	Tubular frame hold arm (left)	
	6	HCA37051	Tubular frame hold arm (right)	
	7	HCM41353	Hold spring C	
	8	HCM41361	Hold spring base	
	9	C0440563	Positioning pin	
	10	HCD937040	Cap frame bracket ass'y	
	11	HCD37041	Cap frame bracket A	
	12	HCD37050	Cap frame mount plate	
	13	M0424080	Spacer	
	14	HCD37090	Knob screw A (M4)	
	A	SCAD03006	Hexagon socket head cap screw (M3x6)	
	B	SCBD04006	Hexagon socket head cap screw with flange (M4x6)	
	C	SBAB04010	Binding head screw (cross recessed, M4x10)	



ACCESSORIES 1

CDFA27 17a-1

Ass'y	El't	Parts No.	Parts Names	Note
	1	HCD53010	Tool set	
	2	HCB53060	Machine oil	
	3	HCB53110	Oiler	
	4	HCA53010	Vinyl sheet	
	5	-	Instruction book	
	6	EPF00360	Fuse (6A)	
	7	EPZ00750	USB cable	
	8	EPE00090	Power cord (for 120V)	
	9	HCD79310	Power cord (for 200V)	
	10	EPE00110	Power cord (for BS, England)	
	11	EPE00100	Power cord (for CEE, Germany)	
	12	HSA04020	Bobbin case	
	13	M0404342	Needle height gauge	
	14	MPZ00150	Needle (#11)	
	15	M0412382	Thread holding rubber	
	16	HSA12020	Screw for needle holder C	
	17	M0420051	Thread stand felt (45mm)	

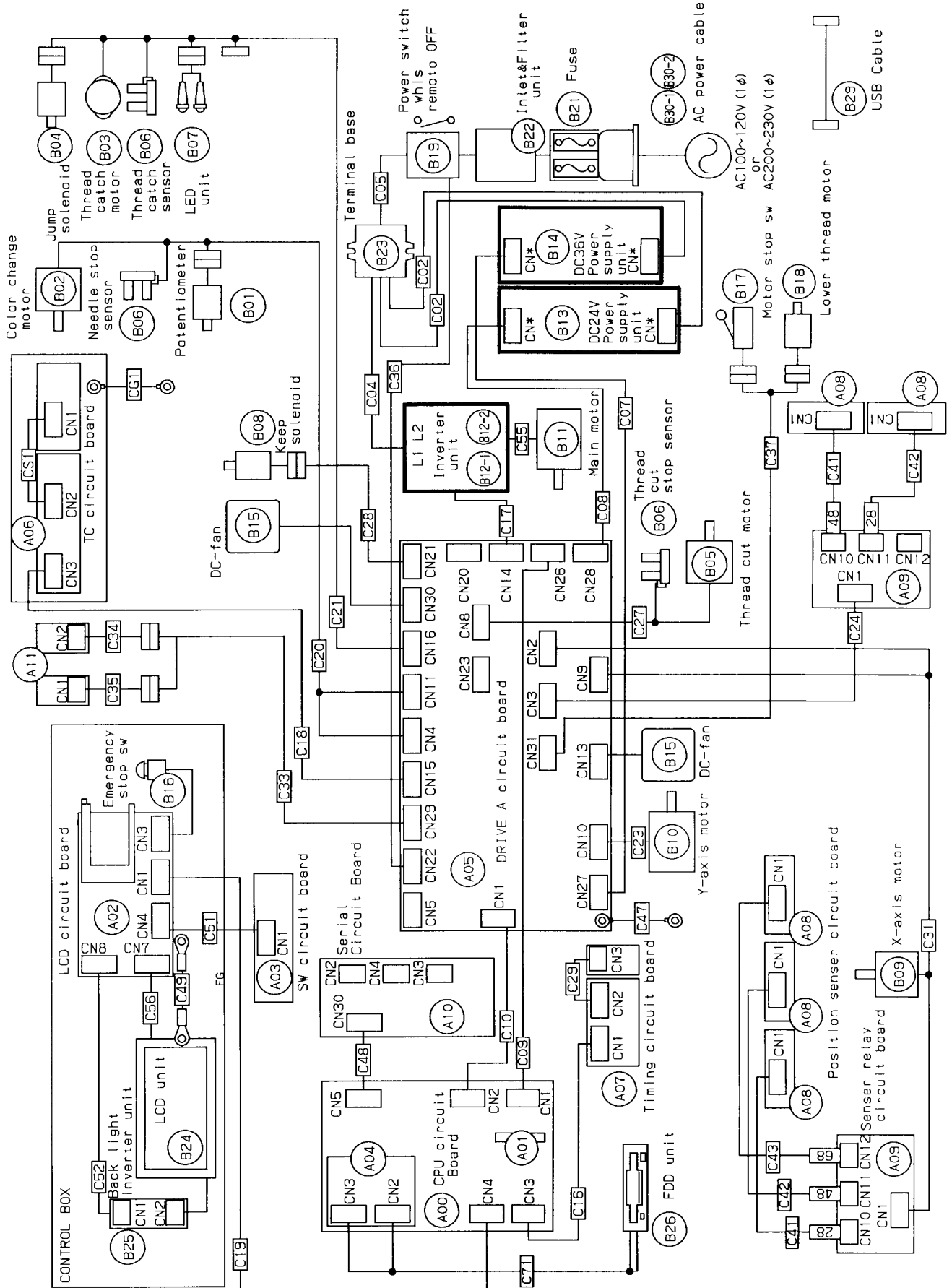


ACCESSORIES 2

CDF801

17b-1

Ass'y	El't	Parts No.	Parts Names	Note
	1	HCM41144	PTA-12-360	
	1	HCM41184	PTA-15-360	
	2	FRA40282	WS-42440-520	
	3	FRA40090	PTA-32320-360	
	4	FRA40500	Preparatory table ass'y (for PTA-32320)	
	5	FRA40430	Holding plate F	
	6	FRA40510	Holding plate I	
	7	SPCB05040	Pan head screw (cross recessed, M5x40)	
	8	WPAB05000	Plain washer (M5)	
	9	NWAB05000	Wing nut (M5)	
	10	SPCB05020	Pan head screw (cross recessed, M5x20)	

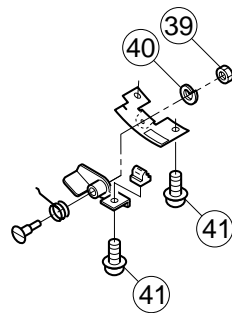
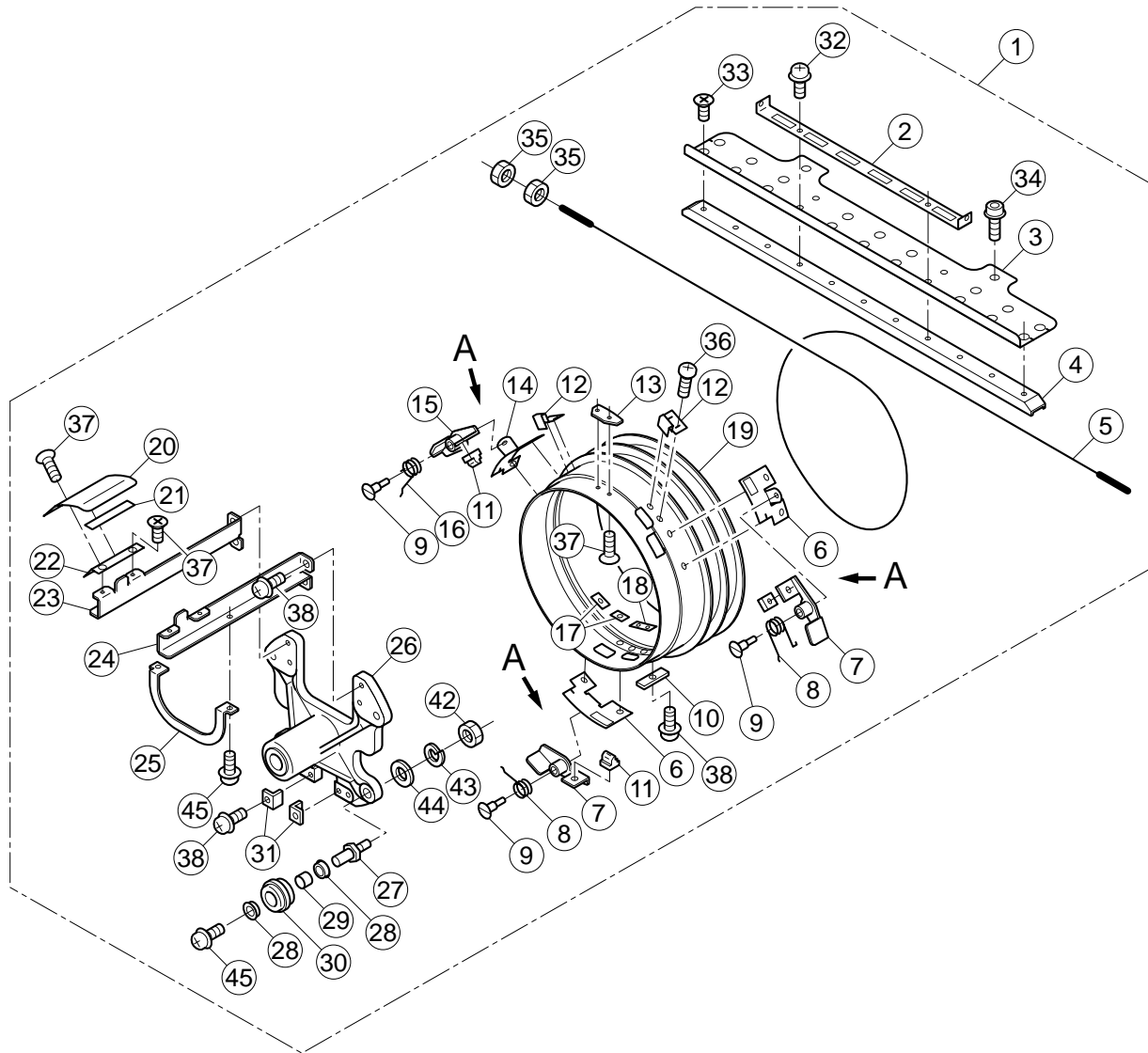


Parts Names	Parts No.	Main motor	TC cable	ESHCD7018*	Ground cable	ESHCG7007*
(A00) CPU circuit board	ESHCD8100*	(B11) Main motor	[C18] TC cable	ESHCD7018*	[CG1] Ground cable	ESHCG7007*
(A01) LCD&TACF circuit board	ESHCD8102*	(B12-1) Input110V type inverter unit	[C19] DISP cable	ESHCD7019*		
(A02) Switch circuit board	ESHCD8103*	(B12-2) Input220V type inverter unit	[C20] Needle bar change cable	ESHCD7020*	(B29) USB cable	ESEPZ0075*
(A05) DRIVE-A circuit board	ESHCD8105*	(B13) Output24V type power supply	[C21] Jump&Thread catch cable	ESHCD7021*	(B30-1) AC power cable (110V) or (B30-2) AC power cable (220V)	ESEPE0009* (A2 type) ESEPE0010* (C4 type) ESEPE0011* (BF type) ESHCD7931*
(A06) TC circuit board	ESHCD8106*	(B14) Output36V type power supply	[C22] Y-motor cable	ESHCD7023*		
(A07) Timing circuit board	ESHCD8109*	(B15) DC fan unit	[C24] Y-sensor relay cable	ESHCD7024*		
(A08) Position sensor circuit board	ESHCD8110*	(B16) Emergency stop sw	[C27] Thread cut motor cable	ESHCD7027*	(OPTION)	
(A09) Sensor Relay circuit board	ESHCD8111*	(B19) Power switch which remote off	[C28] Keep relay cable	ESHCD7028*	(A01) Memory circuit board	ESHCD8101*
(A10) Serial circuit board	ESHCD8107*	(B21) Fuse	[C29] Encoder relay cable	ESHCD7029*		
		(B22) Inlet&Filter unit	[C31] X-motor cable	ESHCD7031*	(A04) FDD circuit board	ESHCD8104*
		(B23) Terminal base	[C36] PD cable	ESHCD7036*	(B26) FDD unit	ESEPZ0028* FD-235-HG (TEAC)
		(B24) LCD unit	[C37] DC-motor Relay cable	ESHCD7037*	[C71] FDC unit cable	ESHCD7071*
(B01) Potentiometer	ESHCB7940*	(B25) Back light inverter unit	[C41] Limit relay cable	ESHCD7041*		
(B02) Color change motor	ESHCD7911*	[C02] Power Supply cable	[C42] Limit relay cable	ESHCD7042*	(B17) Lower thread stop switch	ESHCD7922*
(B03) Thread catch motor	ESEPM0052* 42S1A24D5B2 (MATSUSITA)	[C04] Inverter power supply cable	[C43] Limit relay cable	ESHCD7043*	(B18) Lower Thread DC-motor unit	ESHCD7921*
(B04) Jump solenoid	ESHCB7901*	[C05] Power supply relay cable	[C47] Ground cable	ESHCD7047*		
(B05) Thread cut motor	ESHCB7920*	[C07] DC36 power supply cable	[C48] Serial relay cable	ESHCD7048*	(A11) Needle safety circuit board	ESHCD8112*
(B06) Photo sensor	ESEPP0052* GP1A73A (SHARP)	[C08] DC24 power supply cable	[C49] LCD Ground cable	ESHCD7049*	[C33] Needle safety cable	ESHCD7033*
(B07) LED unit	ESHCD7915*	[C09] CPU power cable	[C51] SW cable	ESHCD7051*	[C34] Infrared LED cable	ESHCD7034*
(B08) Keep solenoid	ESHCD7905*	[C10] Drive S cable	[C52] BL-Inverter cable	ESHCD7052*	[C35] Photo detector cable	ESHCD7035*
(B09) X-axis motor	ESHCD7912*	[C16] Timing cable	[C55] MOTER cable	ESHCD7055*		
(B10) Y-axis motor	ESHCD7913*	[C17] Inverter cable	[C56] LCD-S (8.9inch) cable	ESHCD7056*		
			[C51] TC connect ing cable	ESHCB7019*		

Attention
 *Inverter
 *AC power cable
 Product varies in a power supply to use
 *mark is a revision number

CAP FRAME (DRIVE FRAME)

CAa8A18 19a-1



A

CAP FRAME (DRIVE FRAME)

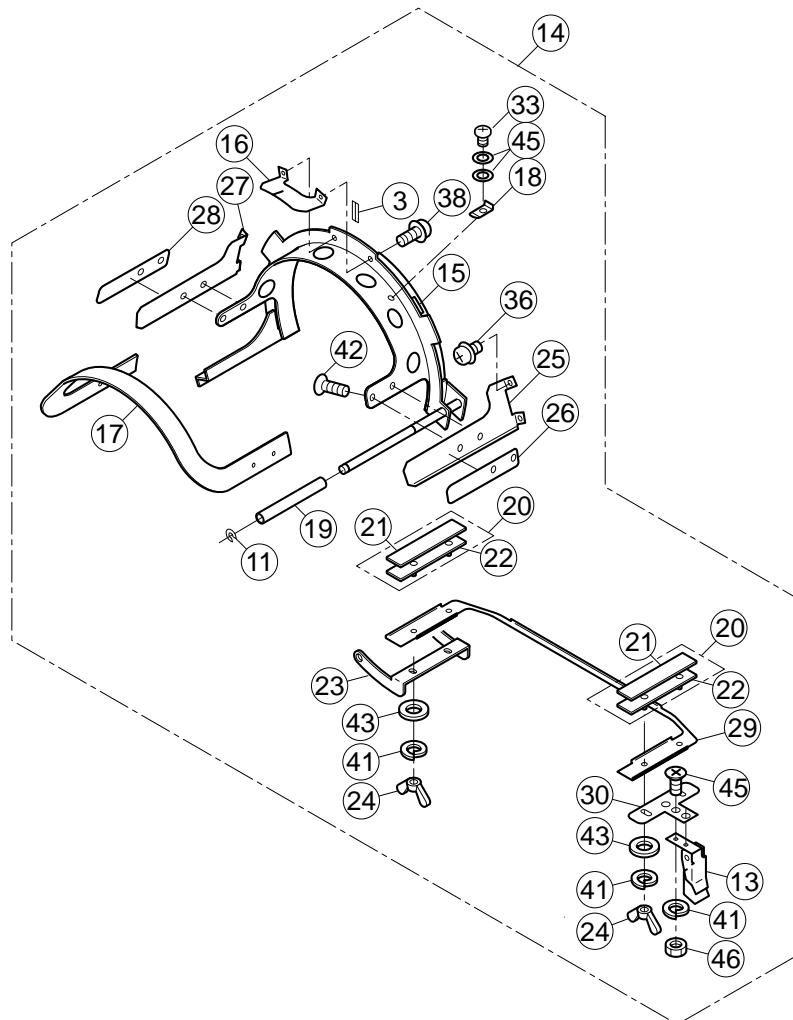
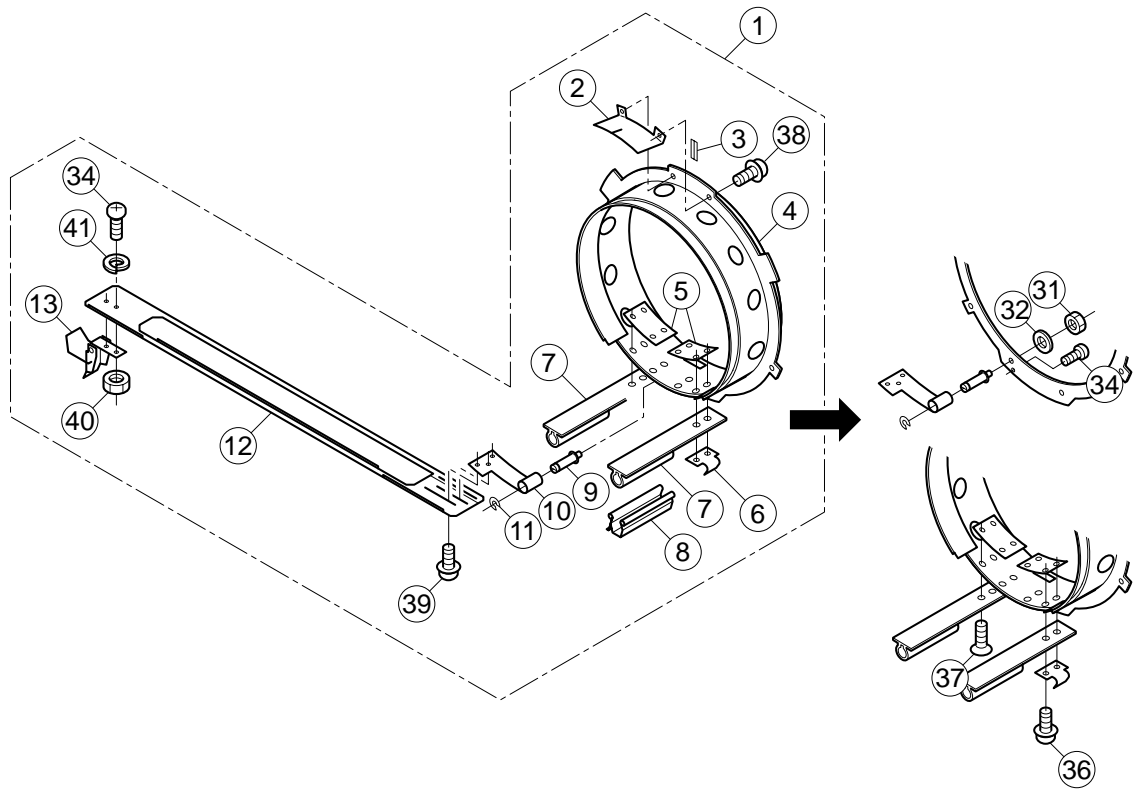
CAa8A18

19a-1

Ass'y	El't	Parts No.	Parts Names	Note
	1	FRA43501	Drive frame ass'y A (red)	
	1	FRA43881	Drive frame ass'y B (blue)	
	2	FRA43790	Wire fixing plate	
	3	FRA43830	Rail bracket	
	4	FRA43820	Rail	
	5	FRA43780	Wire	
	6	FRA43590	Lever bracket (right)	
	7	FRA43560	Hold lever ass'y (right)	
	8	FRA43620	Torsion coil spring (right)	
	9	FRA43610	Support pin	
	10	FRA43800	Wire keeper	
	11	FRA43601	Lock pin	
	12	FRA43550	Spring	
	13	FRA43540	Center guide	
	14	FRA43650	Lever bracket (left)	
	15	FRA43630	Hold lever ass'y (left)	
	16	FRA43660	Torsion coil spring (left)	
	17	FRA43670	Plate nut (M4)	
	18	FRA43680	Plate nut (M3)	
	19	FRA43841	rotary cylinder	
	20	FRA43700	Guide	
	21	FRA43740	Protect sheet	
	22	FRA43730	Guide bracket	
	23	FRA43721	Guide support (left)	
	24	FRA43711	Guide support (right)	
	25	FRA43690	Reinforcement plate	
	26	FRA43971	Base ass'y	
	27	FRA43530	Guide roller pin	
	28	FRA43520	Bearing	
	29	FRA43750	Guide roller spacer	
	30	FRA43510	Guide roller	
	31	FRA43810	Stopper	
	32	SPDD04012	Pan head screw (cross recessed, M4x12)	
	33	SGAD04008	Flat head screw (cross recessed head, M4x8)	
	34	SCAD04008	Hexagon socket head cap screw (M4x8)	
	35	NHAD03000	Hexagon nut (M3)	
	36	SPAD03005	Pan head screw (cross recessed, M3x5)	
	37	SGAD03004	Flat head screw (cross recessed head, M3x4)	
	38	SPDD04010	Pan head screw (cross recessed, M4x10)	
	39	NHCD04000	Hexagon nut (M4)	
	40	WSAD04000	Spring lock washer (M4)	
	41	SPDD04008	Pan head screw (cross recessed, M4x8)	
	42	NHAD05000	Hexagon nut (M5)	
	43	WSAD05000	Spring lock washer (M5)	
	44	WPAD05000	Plain washer (M5)	
	45	SPDD04006	Pan head screw (cross recessed, M4x6)	

CAP FRAME (HOLD FRAME)

CGBF128 19b-1

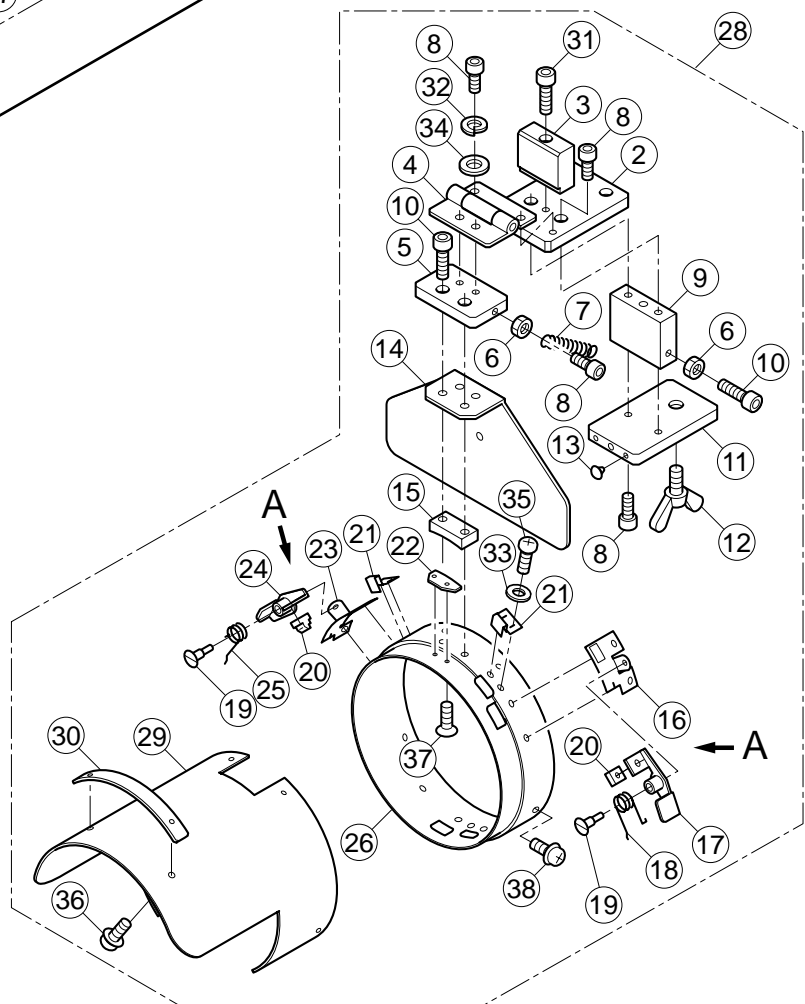
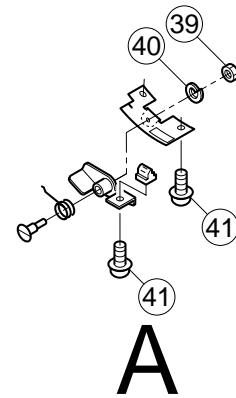
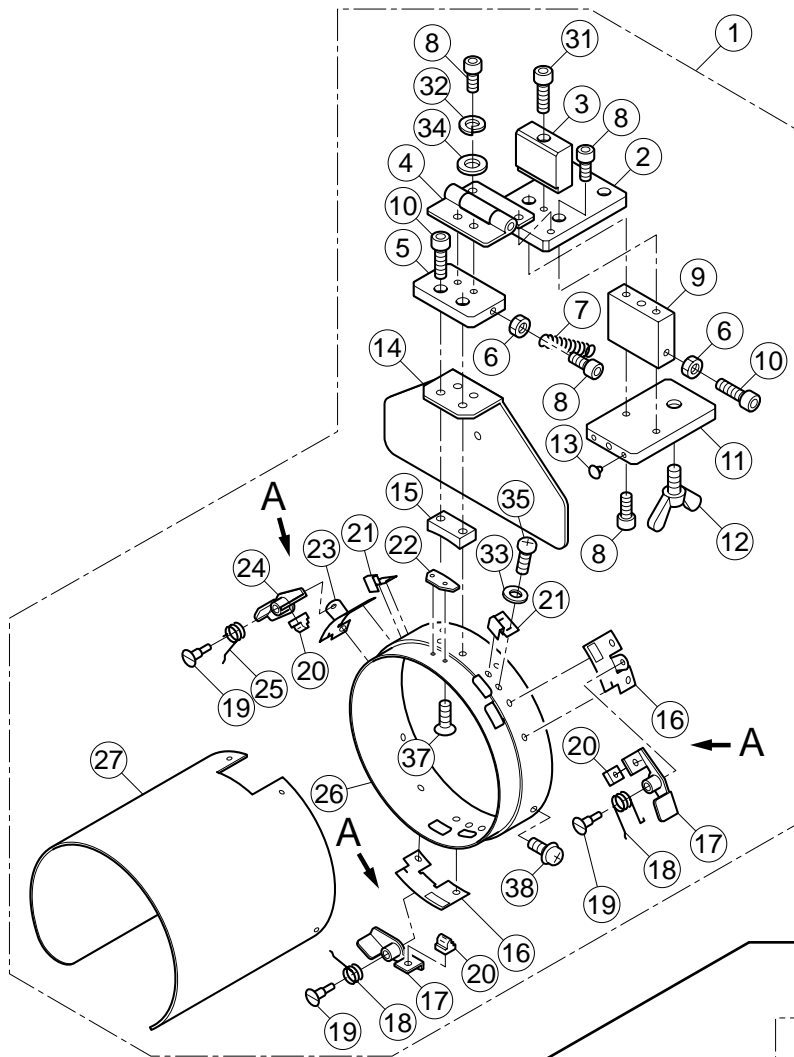


CAP FRAME (HOLD FRAME)

CSF128

19b-1

Ass'y	El't	Parts No.	Parts Names	Note
	1	FRA44001	Cap hold frame ass'y (wide type)	
	2	FRA44210	Position braket	
	3	FRA44180	Cap marker	
	4	FRA44102	Cap hold frame (wide type)	
	5	FRA44050	Cap holder bracket	
	6	FRA44031	Hook	
	7	FRA44201	Cap holder A	
	8	FRA44090	Clip	
	9	FRA44013	Guide pin	
	10	FRA44022	Grip bracket	
	11	FRA44170	E-ring	
	12	FRA44042	Cap grip	
	13	FRA44160	Latch	
	14	FRA46502	Cap hold frame ass'y (low profile type)	
	15	FRA46025	Cap hold frame (low profile type)	
	16	FRA44240	Position braket	
	17	FRA46550	Clamp C	
	18	FRA46620	Spring clip	
	19	FRA46141	Spacer	
	20	FRA46610	Side holder ass'y	
	21	FRA46630	Side holder cushion	
	22	FRA46182	Side holder	
	23	FRA46082	Bracket	
	24	NWBB03000	Wing nut (M3)	
	25	FRA46520	Side support (right)	
	26	FRA46561	Side support ruber (right)	
	27	FRA46530	Side support (left)	
	28	FRA46571	Side support ruber (left)	
	29	FRA46212	Clamp B	
	30	FRA46151	Latch bracket	
	31	NHAD04000	Hexagon nut (M4)	
	32	WPAD04000	Plain washer (M4)	
	33	SPAD03003	Pan head screw (cross recessed, M3x3)	
	34	SPAD03005	Pan head screw (cross recessed, M3x5)	
	35	SPDD04005	Pan head screw (cross recessed, M4x5)	
	36	SPDD04012	Pan head screw (cross recessed, M4x12)	
	37	SGAD04008	Flat head screw (cross recessed head, M4x8)	
	38	SPDD03005	Pan head screw (cross recessed, M3x5)	
	39	SPDD03004	Pan head screw (cross recessed, M3x4)	
	40	NHAD03000	Hexagon nut (M3)	
	41	WSAD03000	Spring lock washer (M3)	
	42	SGAD03004	Flat head screw (cross recessed head, M3x4)	
	43	WPAD03000	Plain washer (M3)	
	44	WPBD03000	Plain washer (M3)	
	45	SGAD03006	Flat head screw (cross recessed head, M3x6)	
	46	NHCD03000	Hexagon nut (M3)	



CAP FRAME (CAP STRETCHER)

CSF128

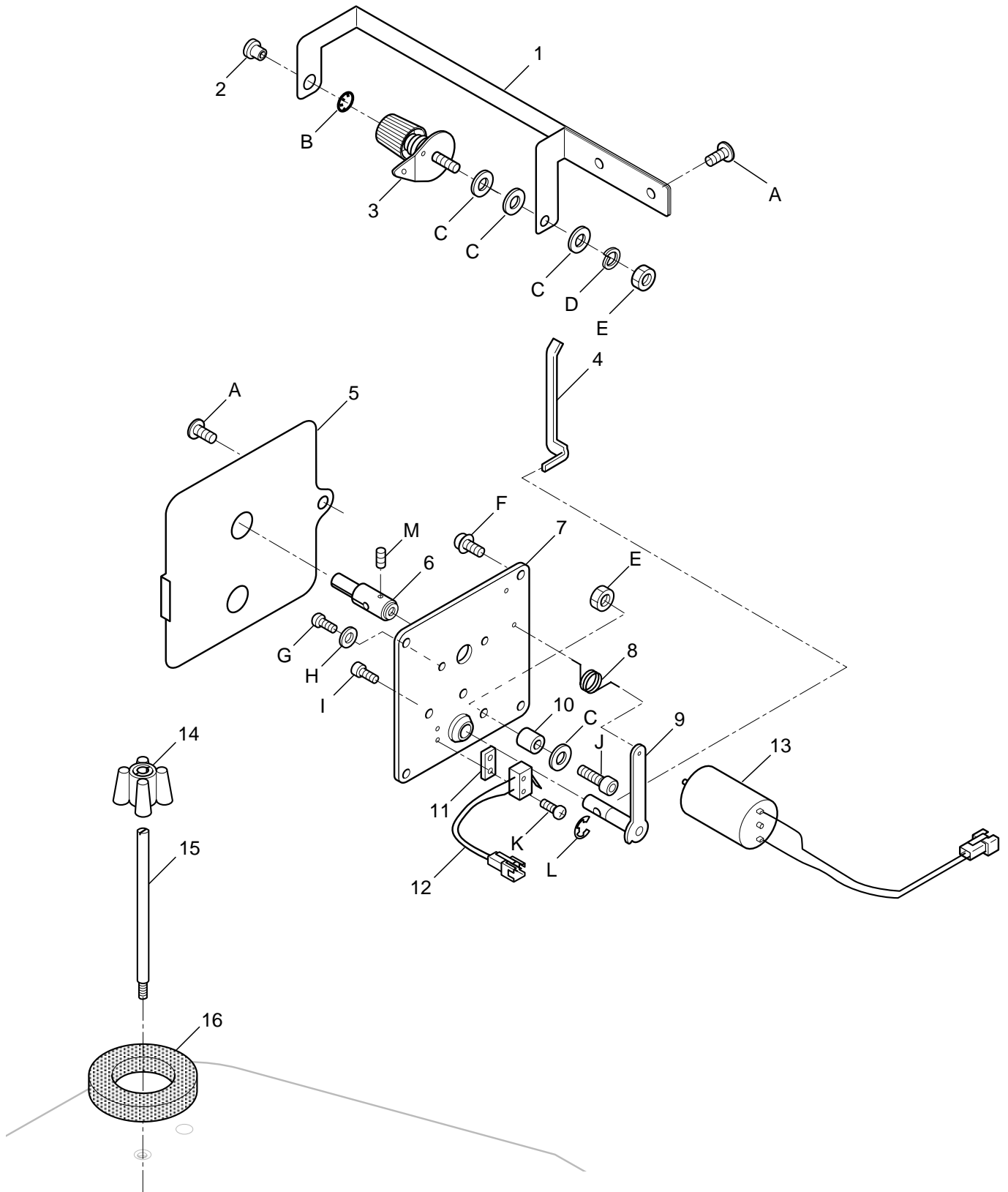
19c-1

Ass'y	El't	Parts No.	Parts Names	Note
	1	FRA44502	Cap stretcher (wide type)	
	2	FRA44600	Base E	
	3	FRA44610	Stopper A	
	4	FRA44580	Hinge	
	5	FRA44590	Base D	
	6	NHAD05000	Hexagon nut (M5)	
	7	FRA44620	Tension coil spring	
	8	SCAD05012	Hexagon socket head cap screw (M5x12)	
	9	FRA44561	Base B	
	10	SCAD05020	Hexagon socket head cap screw (M5x20)	
	11	FRA44571	Base C	
	12	SWAB10020	Wing bolt (M10x20)	
	13	FRA44630	Cushion	
	14	FRA44531	Back plate	
	15	FRA44541	R block	
	16	FRA43591	Lever bracket (right)	
	17	FRA43560	Hold lever ass'y (right)	
	18	FRA43620	Torsion coil spring (right)	
	19	FRA43611	Support pin	
	20	FRA43601	Lock pin	
	21	FRA43550	Spring	
	22	FRA43542	Center guide	
	23	FRA43651	Lever bracket (left)	
	24	FRA43630	Hold lever ass'y (left)	
	25	FRA43660	Torsion coil spring (left)	
	26	FRA44511	Cylinder	
	27	FRA44521	Stretch plate (wide type)	
	28	FRA46350	Cap stretcher (low profile type)	
	29	FRA46330	Stretch plate (low profile type)	
	30	FRA46320	Block	
	31	SCAD05035	Hexagon socket head cap screw (M5x35)	
	32	WSAD05000	Spring lock washer (M5)	
	33	WPAD03000	Plain washer (M3)	
	34	WPAD05000	Plain washer (M5)	
	35	SPAD03005	Pan head screw (cross recessed, M3x5)	
	36	SPDD03005	Pan head screw (cross recessed, M3x5)	
	37	SGAD03005	Flat head screw (cross recessed head, M3x5)	
	38	SPDD04010	Pan head screw (cross recessed, M4x10)	
	39	NHCD04000	Hexagon nut (M4)	
	40	WSAD04000	Spring lock washer (M4)	
	41	SPDD04008	Pan head screw (cross recessed, M4x8)	
	42	SGAD03004	Flat head screw (cross recessed head, M3x4)	
	43	WPAD03000	Plain washer (M3)	
	44	WPBD03000	Plain washer (M3)	
	45	SGAD03006	Flat head screw (cross recessed head, M3x6)	
	46	NHCD03000	Hexagon nut (M3)	

BOBBIN WINDER (OPTION)

CDG401

20a-1



BOBBIN WINDER (OPTION)

CDG401

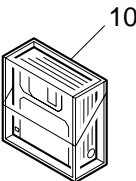
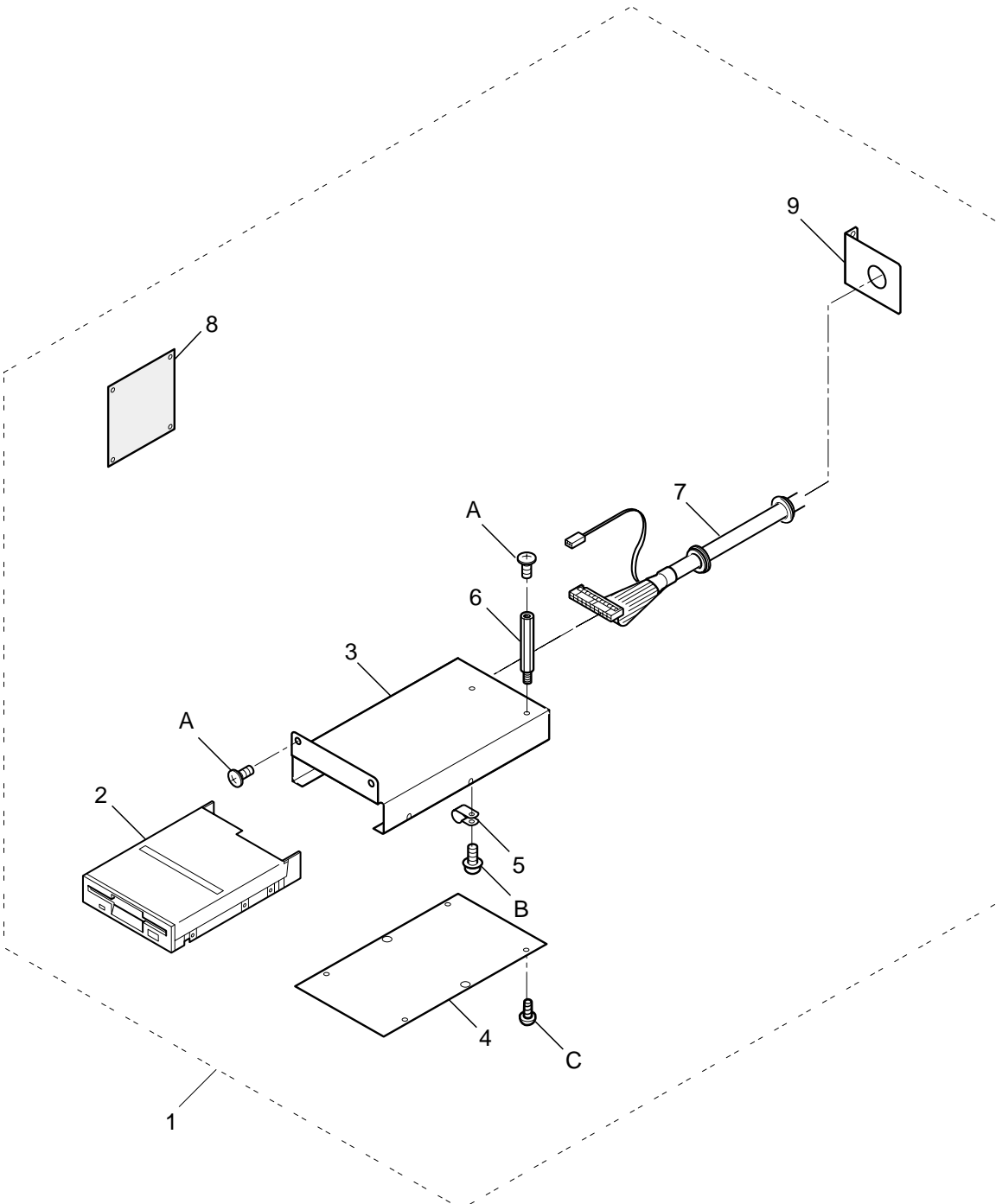
20a-1

Ass'y	El't	Parts No.	Parts Names	Note
	1	HCD60081	Bobbin thread guide	
	2	M0445080	Eyelet	
	3	HCB60103	Thread guide unit	
	4	HCB60191	Guide	
	5	HCD60120	Winder cover	
	6	HCD60011	Shaft	
	7	HCD60053	Winder base ass'y	
	8	HCB60060	Spring	
	9	HCB60160	Lever ass'y	
	10	HCB60210	Cushion	
	11	HCB60200	Spacer	
	12	HCD79220	Switch	
	13	HCD79210	Motor ass'y	
	14	MPZ00340	Plastic spring	
	15	HCD60110	Thread stand pin	
	16	HMF20571	Thread stand felt (80)	
	A	STAB04006	Truss head screw (cross recessed, M4x6)	
	B	MPR00110	SE-ring (SE-7)	
	C	WPBD04000	Plain washer (M4)	
	D	WSAD04000	Spring lock washer (M4)	
	E	NHAD04000	Hexagon nut (M4)	
	F	SPDB04008	Pan head screw (cross recessed, M4x8)	
	G	SPAC02006	Pan head screw (cross recessed, M2x6)	
	H	WPAC02000	Plain washer (M2)	
	I	SCAA03015	Hexagon socket head cap screw (M3x15)	
	J	SCAA04012	Hexagon socket head cap screw (M4x12)	
	K	SPAC02010	Pan head screw (cross recessed, M2x10)	
	L	MPR00080	E-ring (E-5)	
	M	SSAA03003	Hexagon socket set screw (M3x3)	

FLOPPY DISK DRIVE (OPTION)

CDG222

21a-1



FLOPPY DISK DRIVE (OPTION)

CDG222

21a-1

Ass'y	El't	Parts No.	Parts Names	Note
	1	HCD29260	Floppy disk drive ass'y	
	2	EPZ00284	Disk drive unit (3 mode type)	
	3	HCD29240	FDD bracket	
	4	HCD29250	FDD cover	
	5	EPN00240	Clamp (NK-7N)	
	6	MPA00290	Spacer	
	7	HCD70710	FDC unit coed	
	8	HCD81040	FDC board ass'y	
	9	HCD00810	FDD cord lid with hole	
	10	EPZ00450	Floppy disk (1 case)	
	A	STAB04006	Truss head screw (cross recessed, M4x6)	
	B	SPDB04006	Pan head screw (cross recessed, M4x6)	
	C	SBAD03006	Binding head screw (M3x6)	



HAPPY Industrial Corporation

HEAD OFFICE 5-9-16, Miyamachi, Yamagata-city 990-0057, Japan
Phone: 023-623-7111 FAX: 023-623-2654

TOKYO OFFICE 2-9-5, Taito, Taito-Ku, Tokyo 110-0016, Japan
Phone: 03-3834-0711 Telex: 265-5482
FAX: 03-3835-8917 Cable: HAPPYSEW TOKYO

HAPPY INDUSTRIAL GmbH Am Kummerling, 10-12
6501 Bodenheim am Rhein
Germany
Phone: 06135-8101 FAX. 0211-161630

Mode	HCD-1501-40
Machine No.	